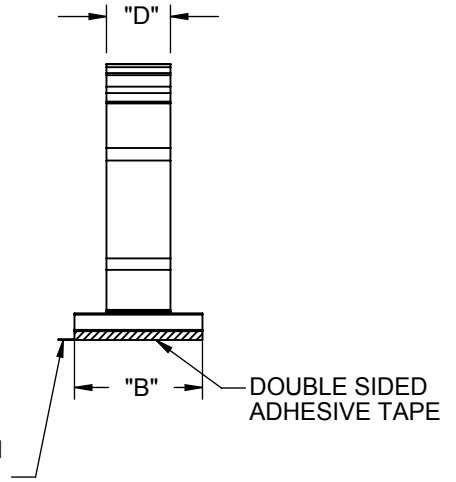
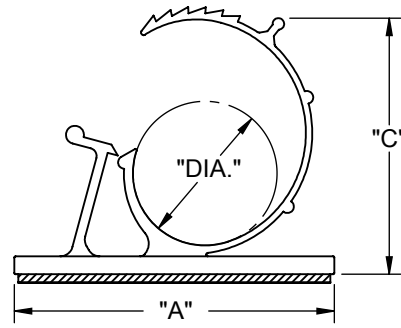


PART NUMBER		ADHESIVE TAPE	BUNDLE Ø RANGE REF.	"A"±.015 [±0.4]	"B"±.015 [±0.4]	"C" REF.	"D"
UL94 V-2 NYLON	UL94 V-0 NYLON						
AKKL-2140-01	AKKL-2140-19	NONE	.215-.258 [5.5-6.5]	.85 [21.6]	.650 [16.5]	.708 [18.0]	.39 [10.0]
AKKL-2140A-RT	AKKL-2140A-19	1/32" THICK RUBBER TAPE (RMS-136)					
AKKL-3140-01	AKKL-3140-19	NONE	.312-.406 [7.9-10.3]	1.00 [25.4]	.750 [19.1]	.866 [22.2]	.40 [10.2]
AKKL-3140A-RT	AKKL-3140A-19	1/32" THICK ACRYLIC TAPE (RMS-15)					
AKKL-3140-DHB	-	.04" THICK HIGH BOND ACRYLIC TAPE (RMS-500)					
AKKL-4756-01	AKKL-4756-19	NONE					
AKKL-4756A-RT	AKKL-4756A-19	1/32" THICK ACRYLIC TAPE (RMS-15)	.469-.562 [11.9-14.3]	1.25 [31.8]	.750 [19.1]	1.09 [27.8]	.50 [12.7]
AKKL-4756-DHB	-	.04" THICK HIGH BOND ACRYLIC TAPE (RMS-500)					
AKKL-5775-01	AKKL-5775-19	NONE	.578-.750 [14.7-19.1]	1.50 [38.1]	1.00 [25.4]	1.75 [44.5]	.50 [12.7]
AKKL-5775A-RT	AKKL-5775A-19	1/32" THICK ACRYLIC TAPE (RMS-15)					
AKKL-8710-01	AKKL-8710-19	NONE	.875-1.00 [22.2-25.4]	2.00 [50.8]	1.00 [25.4]	1.75 [44.5]	.50 [12.7]
AKKL-8710A-RT	AKKL-8710A-19	1/32" THICK ACRYLIC TAPE (RMS-15)					
AKKL-10112-01	AKKL-10112-19	NONE	1.00-1.25 [25.4-31.7]	2.5 [63.5]	1.00 [25.4]	2.00 [50.8]	.50 [12.7]
AKKL-10112A-RT	AKKL-10112A-19	1/16" THICK ACRYLIC TAPE (RMS-15)					



NOTES:

1. MATERIAL: UL94 V-2 NYLON 6/6 (RMS-01) OR UL94V-0 NYLON 6/6 (RMS-19)
2. COLOR: NATURAL.
3. STANDARD ACRYLIC ADHESIVE TAPE (RMS-15), WHITE LINER.
HIGH BOND ACRYLIC TAPE (RMS-500), RED LINER
4. BY SPECIAL ORDER ONLY, RUBBER ADHESIVE TAPE (RMS-102), BLUE LINER,
TO ORDER USE P/N: AKKL-XXXXA1-RT OR AKKL-XXXXA1-19

P	ADDED -3140-DHB & -4756-DHB PARTS, ECN # 1429	DZ	04/05/2017	TITLE: ADJUSTABLE KWIK KLIP				UNITS: INCH [mm]	
O	SEE CO200773 FOR CHANGES	SK	04/30/2012	CREATED USING SOLIDWORKS	FILE #: AKKL	DWN: SM	APP: -	FINAL	
N	SEE ECN #952 FOR CHANGES	SK	02/25/2005	TOLERANCES UNLESS NOTED	SHEET: 1 OF 1	SHEET SIZE: A	DT: 12/02/2003	CHKD: -	PART #
M	SEE ECN #939 FOR CHANGES	SK	02/10/2005	.XX=±.010	RE: -		ESSENTRA COMPONENTS		SEE TABLE
L	SEE ECN #847 FOR CHANGES	SM	09/10/2004	.XXX=±.005					PRINT TYPE
K	SEE ECN #750 FOR CHANGES	SM	01/27/2004	FRAC.=±1/64					CA
J	SEE ECN #733 FOR CHANGES	SM	12/02/2003	ANG.=±1°					
-	SEE ENGINEERING FOR REVISION HISTORY (A-I)	-	-						
REV.	DESCRIPTION	ENGR.	DATE						

X-ON Electronics

Largest Supplier of Electrical and Electronic Components

Click to view similar products for [Cable Mounting & Accessories](#) category:

Click to view products by [ESSENTRA](#) manufacturer:

Other Similar products are found below :

[582603-1](#) [009333-000](#) [727844N003](#) [747](#) [809090N001](#) [843188-000](#) [8666](#) [967279N002](#) [DB-11](#) [1300840039](#) [1300900096](#) [1301800416](#)
[1302264450](#) [1300830184](#) [1300830729](#) [1300900039](#) [1301580036](#) [1301850553](#) [1301860939](#) [1302000074](#) [1302261315](#) [1302264431](#)
[1337706-2](#) [APA18-AK](#) [1724](#) [1-787307-1](#) [185491N001](#) [1868](#) [HP-6N](#) [C-202-C](#) [202C221-13-0](#) [CA7308-000](#) [8S23-75FR-CS8184](#) [2684](#) [9648](#)
[3089](#) [988382-000](#) [A72821-000](#) [AA401](#) [173506-000](#) [1823](#) [202C292-13-0](#) [202C302-13-0](#) [2109](#) [300625](#) [3330](#) [3412](#) [356247-1](#) [M9142](#)
[M9143](#)