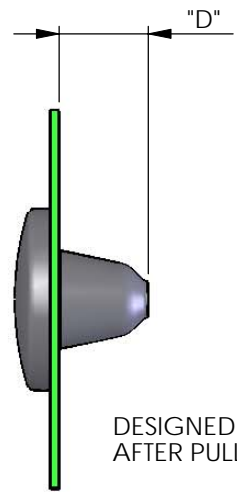
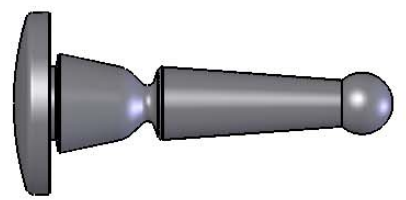
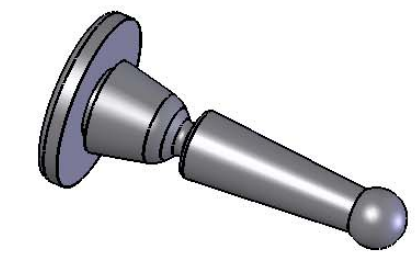
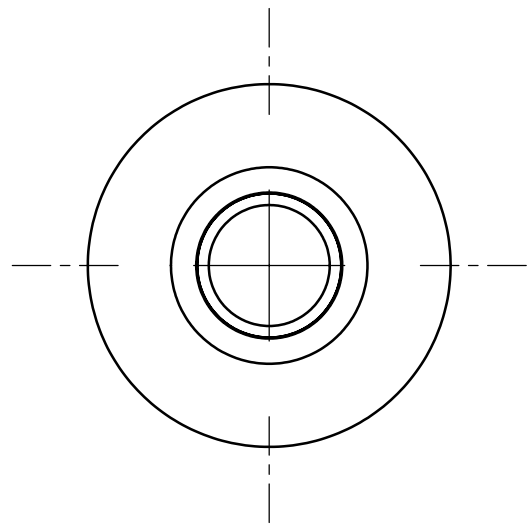
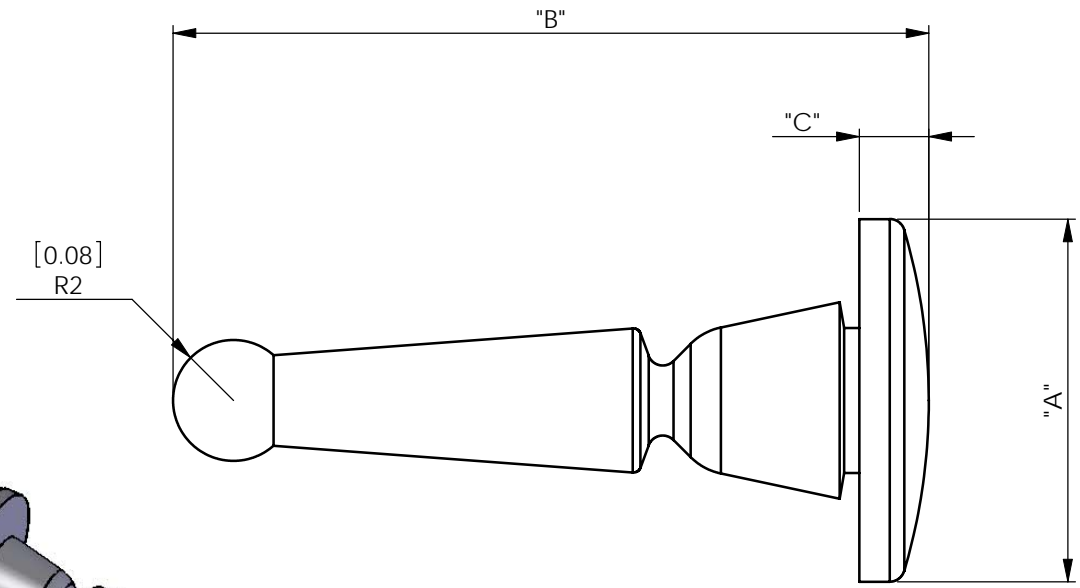
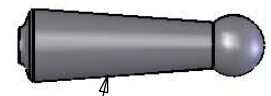


REV.	MODIFICATION.	DATE	DRN
01	Production Release	20/07/06	TC
02	ECN2007-134	14/08/07	TC
03	CO2010305	04/08/08	MT
04	CO2010314	08/08/08	MT



DESIGNED TO BREAK-AWAY & BE DISCARDED AFTER PULL-THROUGH MOUNTING



INFORMATION CONTAINED IN THIS DOCUMENT IS CONFIDENTIAL TO RICHCO INTERNATIONAL Co. Ltd. AND MAY NOT BE DISCLOSED OR REPRODUCED IN WHOLE OR PART WITHOUT THEIR WRITTEN CONSENT.

Richco®

ALL DIMENSIONS IN mm & [INCHES]
 GENERAL TOLERANCES ±0.25 [.01]
 UNLESS OTHERWISE STATED
 1 DECIMAL PLACE ±0.25 [.01]
 2 DECIMAL PLACES ± 0.10 [.004]
 ANG +/-1° UNSPEC RADIUS 0.25 [.01]

THIRD ANGLE

PART No	MATERIAL TYPE & HARDNESS	RMS No	"A"	"B"	"C"	"D"	PANEL THICKNESS	HOLE DIAMETER
BAB-1	Silicone Rubber - 35+/- 5 Shore A	RMS-316	12 [.47]	25 [.98]	2.3 [.09]	6.5 [.26]	0.6-0.8 [.024-.031]	5.0-5.4 [.197-.212]
BAB-2	Silicone Rubber - 50+/- 5 Shore A	RMS-364	10 [.39]	20 [.79]	2 [.08]	4 [.16]	0.5 [.020]	4.7-5.0 [.185-.197]
BAB-3								

MATERIAL: SEE TABLE				COLOUR: BLACK	
DESCRIPTION: BREAK AWAY BUMPER				PART No: SEE TABLE	
DRG No: 06-078		NPR No: 2005-245		Mass:(g) 0.55g	SHEET SIZE A4
DRN TC	DATE 07/07/05	CHKD TC	DATE 19/07/06	SCALE NTS	SHEET No. 2 OF 2

X-ON Electronics

Largest Supplier of Electrical and Electronic Components

Click to view similar products for [Mounting Fixings](#) category:

Click to view products by [ESSENTRA](#) manufacturer:

Other Similar products are found below :

[5912235-2](#) [007541](#) [627](#) [M3783-7001](#) [71-074914-006](#) [75-69211-3P](#) [75-69214-6P](#) [75-69220-27S](#) [75-69224-5S](#) [7717-8DAP](#) [85043GULPR](#)
[85047GULPT](#) [85048GBESR](#) [FPK-02-R10](#) [PMS27488-001-01](#) [1-18023-0](#) [H-118-2](#) [DB1](#) [1302030464](#) [DC37-22-21PX](#) [1302010957](#)
[1302263564](#) [1302340393](#) [1404-0016-78](#) [14540](#) [1561-60](#) [1566](#) [1566](#) [BR16A](#) [HS4737-2001 REV G](#) [HS5659MB98PN](#) [NT20SATT01](#)
[201C5058-01-201 REV E](#) [22594-8](#) [KBB-141](#) [89078GBEPR](#) [89078GBESR](#) [915060](#) [SF4011-60101](#) [97-CS-50](#) [1671](#) [1855-54](#) [T-2085-SP](#)
[20800240002](#) [21899-4](#) [2193](#) [2518](#) [25745-1](#) [H-118-1](#) [354467](#)