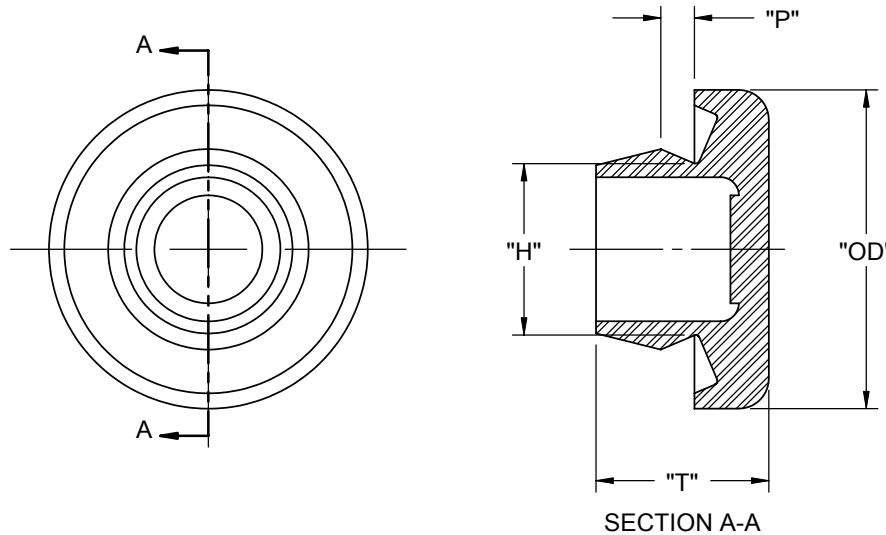


PART NO.	PANEL HOLE SIZE "H"	PANEL THICKNESS "P"	OUTSIDE DIAMETER "OD"	BODY PLUG THICKNESS "T"	MATERIAL
BP-16230	.39 [10]	.03-.08 [0.8-2]	.76 [19.3]	.43 [10.9]	RMS-262
BP-16231	.47 [12]	.03-.08 [0.8-2]	.83 [21]	.45 [11.4]	RMS-262
BP-16232	.55 [14]	.03-.08 [0.8-2]	.91 [23]	.45 [11.4]	RMS-262
BP-16233	.63 [16]	.03-.08 [0.8-2]	.98 [25]	.47 [12]	RMS-67
BP-16234	.71 [18]	.03-.08 [0.8-2]	1.06 [27]	.45 [11.4]	RMS-262
BP-16236	.87 [22]	.03-.08 [0.8-2]	1.23 [31.2]	.43 [10.9]	RMS-262
BP-16238	1.18 [30]	.03-.08 [0.8-2]	1.55 [39.4]	.42 [10.7]	RMS-262



NOTES:
 1. MATERIAL: THERMOPLASTIC ELASTOMER UL 94 HB.
 2. COLOR: BLACK.

TITLE: BODY PLUG			DWG IN IN [MM]		FINAL	
CREATED USING SOLIDWORKS	FILE #: BP	DWN: SK	APP: RT			
TOLERANCES UNLESS NOTED .XX=±.010 .XXX=±.005 FRAC.=±1/64 ANG.=±1°	SHEET: 1 OF 1	SHEET SIZE: A	DT: 06/11/07	CHKD: DZ	PART #	
RE: RICHCO, INC. --	RICHCO, INC. ENG@RICHCO-INC.COM (773) 539-4060			SEE TABLE		PRINT TYPE CA
C	SEE CO 200041 FOR CHANGES	SK	09/28/07			
B	SEE ECN #1332 FOR CHANGES	SK	06/12/07			
A	CHANGED FILE NO. AND TABLE HEADING	SM	01.02.02			
REV.	DESCRIPTION	ENGR.	DATE			

X-ON Electronics

Largest Supplier of Electrical and Electronic Components

Click to view similar products for [Conduit Fittings & Accessories](#) category:

Click to view products by [ESSENTRA](#) manufacturer:

Other Similar products are found below :

[M3231GAB](#) [M3231GAC](#) [M3231GAE](#) [M3231GL](#) [M3231GN](#) [M3231GT](#) [VC-937-16/RED](#) [VC-562-16/RED](#) [VC-1125-16/RED](#) [DM0240-1/2A](#) [3408B](#) [G6002](#) [M4340GAE](#) [C2016-P](#) [C2012-P](#) [3407B](#) [561-87BG11BLK](#) [561-75BG11B](#) [1.533.1201.50](#) [1.533.1601.51](#) [1.533.2001.51](#) [1.533.4001.50](#) [1.533.5001.50](#) [BVNV-P428](#) [BVBV-P366](#) [VC-687-16/RED](#) [2276](#) [2663-P](#) [3405B](#) [C2070-P](#) [3582V](#) [2643-P](#) [4975](#) [2644-P](#) [2955](#) [M50](#) [2404-P](#) [C2008-P](#) [2723-P](#) [2291](#) [2133-P](#) [3048F](#) [VC12516](#) [RC156-0500](#) [DM0523-1/2A](#) [1035A](#) [DMS0250-1A](#) [DMS0313-1A](#) [1040A](#) [1050A](#) [R1/8A](#)