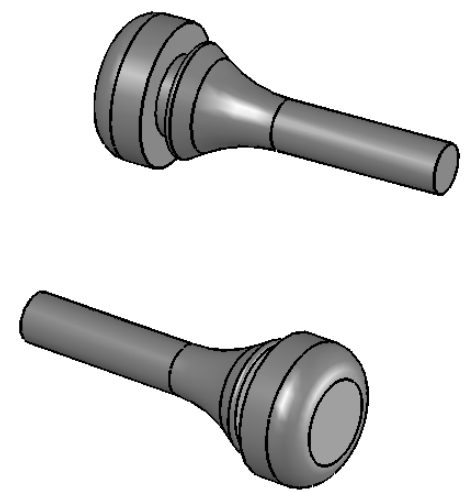
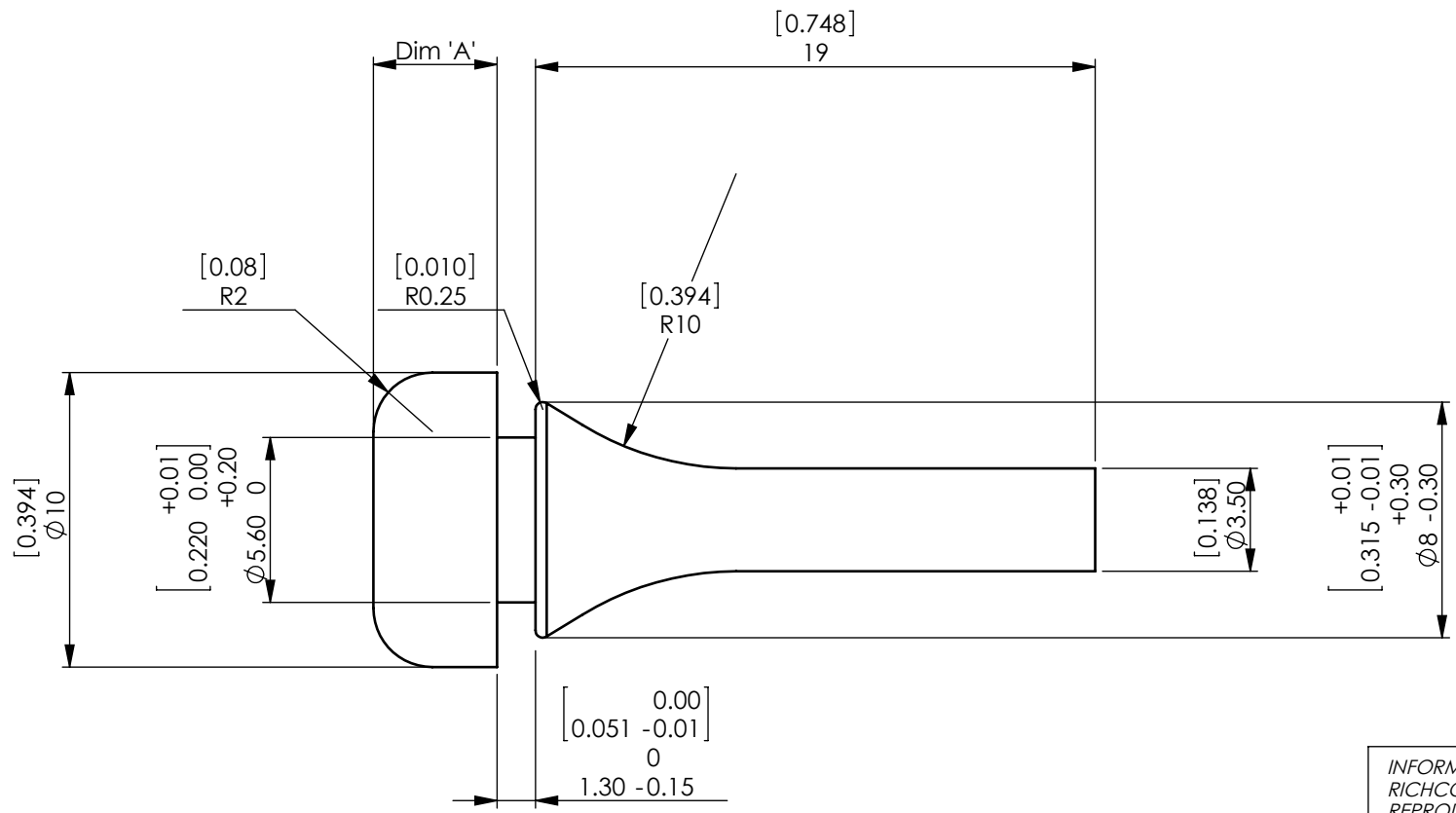


REV.	MODIFICATION.	DATE	DRN
01	PRODUCTION RELEASE	13/03/06	TC
02	ECR 2006-079	08/05/06	TC
03	CO2010269	01/07/08	SF



NOTES!

- Material To Comply with RoHS legislation
- Fits hole diameter 6.0mm MIN, 6.35mm MAX
panel thickness 1.5mm

PART No	"A" DIMENSION	COLOUR	RMS No
BPM-1	[.118+/-0.001] 3.0 +/- 0.25	GREY	RMS-321
BPM-2	[.165 +/- 0.01] 4.2 +/- 0.25	BLACK	RMS-321
BPM-3BK	[.196 +/- 0.01] 5.0 +/- 0.25	BLACK	RMS-321

INFORMATION CONTAINED IN THIS DOCUMENT IS CONFIDENTIAL TO RICHCO INTERNATIONAL Co. Ltd. AND MAY NOT BE DISCLOSED OR REPRODUCED IN WHOLE OR PART WITHOUT THEIR WRITTEN CONSENT.

	ALL DIMENSIONS IN mm & [INCHES] GENERAL TOLERANCES ±0.25 [±0.01] UNLESS OTHERWISE STATED 1 DECIMAL PLACE ±0.25 [±0.01] 2 DECIMAL PLACES ± 0.10 [± 0.004] ANGULAR ±1°	THIRD ANGLE

MATERIAL:				COLOUR:	
SILICONE RUBBER 65 +/- 5 SHORE A				SEE TABLE	
DESCRIPTION:				PART No:	
PULL MOUNT BUMPER				SEE TABLE	
DRG No:		NPR No:		Mass:(g)	SHEET SIZE
06-026		2004-340 - Grey 2004-341 - Black 2007-239 - Black		0.75 - 341 0.60 - 340	A4
DRN	DATE	CHKD	DATE	SCALE	SHEET No.
TC	14/10/05	TC	13/03/06	NTS	1 OF 1

X-ON Electronics

Largest Supplier of Electrical and Electronic Components

Click to view similar products for [Mounting Fixings](#) category:

Click to view products by [Essentra](#) manufacturer:

Other Similar products are found below :

[007541](#) [M3783-7001](#) [71-074914-006](#) [71-215091-8S](#) [71-441549-19S](#) [75-69211-3P](#) [75-69214-6P](#) [75-69220-27S](#) [7717-8DAP](#) [85043GULPR](#)
[FPK-02-R10](#) [PMS27488-001-01](#) [1-18023-0](#) [H-118-2](#) [1302030464](#) [DC36-18-32SW](#) [DC36-18-32SX](#) [1302010957](#) [1302263564](#) [1302340393](#)
[1404-0016-78](#) [14540](#) [1561-60](#) [BR16A](#) [HS5659MB98PN](#) [NT20SATT01](#) [201C5058-01-201 REV E](#) [22594-8](#) [KBB-141](#) [89078GBEPR](#)
[915060](#) [SF4011-60101](#) [97-CS-50](#) [1671](#) [1855-54](#) [T-2085-SP](#) [20800240002](#) [21899-4](#) [2193](#) [2518](#) [25745-1](#) [H-118-1](#) [354467](#)
[D38899/26WJ4BN](#) [4731](#) [BACI10BC2022PNBA](#) [BRACKET-RA-30](#) [HS5659MB35PN](#) [HS5659MB35SN](#) [HS5659MB98SN](#)