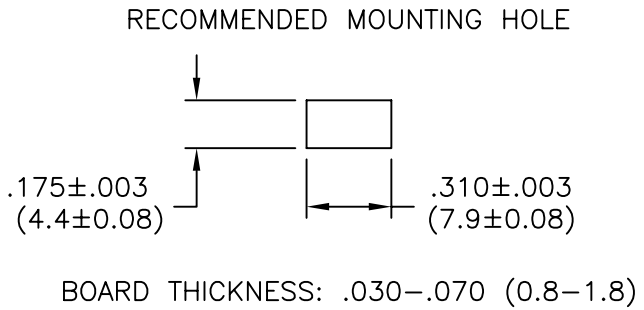
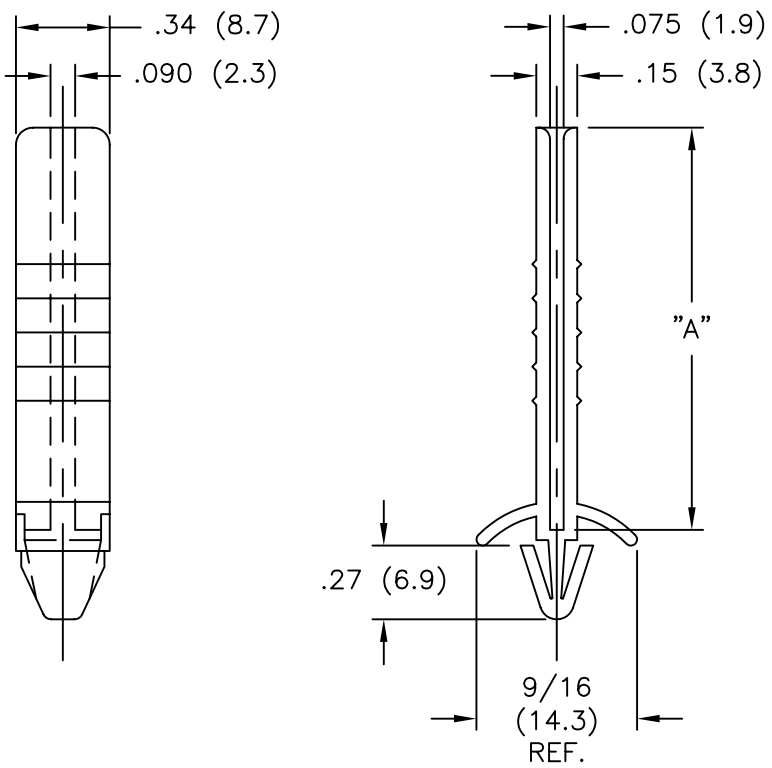


PART NO.	OVER-ALL HEIGHT "A" ±.015 (±0.4)
CBG-1-01	1.0 (25.4)
CBG-1.5-01	1.5 (38.1)
CBG-2-01	2.0 (50.8)
CBG-3-01	3.0 (76.2)



- NOTES:
- MATERIAL: NYLON 6/6 (RMS-01).  
FLAME RETARDANT NYLON (RMS-19),  
AVAILABLE BY SPECIAL ORDER ONLY.
  - COLOR: NATURAL.

<table border="1"> <tr> <td>E</td> <td>UPDATED PRINT, DIM .27 WAS .25</td> <td>SM 12.03.01</td> </tr> <tr> <td>D</td> <td>CHANGED FILE NUMBER</td> <td>SM 05.11.01</td> </tr> <tr> <td>C</td> <td>CHANGED FRACTIONAL DIM. TO DECIMAL, ADDED TOLERANCE ±.003</td> <td>SM 02.21.01</td> </tr> <tr> <td>B</td> <td>MAT'L RMS-19 ADDED</td> <td>J.L. 12.18.97</td> </tr> <tr> <td>A</td> <td>CONVERTED TO ACAD</td> <td>PB 02.01.95</td> </tr> <tr> <td>REV</td> <td>DESCRIPTION</td> <td>ENGR DATE</td> </tr> </table>			E	UPDATED PRINT, DIM .27 WAS .25	SM 12.03.01	D	CHANGED FILE NUMBER	SM 05.11.01	C	CHANGED FRACTIONAL DIM. TO DECIMAL, ADDED TOLERANCE ±.003	SM 02.21.01	B	MAT'L RMS-19 ADDED	J.L. 12.18.97	A	CONVERTED TO ACAD	PB 02.01.95	REV	DESCRIPTION	ENGR DATE	<p>TITLE: <b>CIRCUIT BOARD GUIDES</b></p>							
E	UPDATED PRINT, DIM .27 WAS .25	SM 12.03.01																										
D	CHANGED FILE NUMBER	SM 05.11.01																										
C	CHANGED FRACTIONAL DIM. TO DECIMAL, ADDED TOLERANCE ±.003	SM 02.21.01																										
B	MAT'L RMS-19 ADDED	J.L. 12.18.97																										
A	CONVERTED TO ACAD	PB 02.01.95																										
REV	DESCRIPTION	ENGR DATE																										
<p>TOLERANCES UNLESS NOTED .XX=±.010 .XXX=±.005 FRAC=±1/64 ANG=±1°</p>			<p>FILE # CBG</p> <p>MAT'L: SEE NOTES</p> <p>RE: RICHCO, INC.</p>		<p>DWN: P.B.</p> <p>DT: 02-01-95</p> <p>RICHCO INC. PO BOX 804238, CHICAGO, 60680 (773) 539-4060</p>		<p>APP:</p> <p>DT:</p>		<p>DWG IN IN (MM)</p> <p>FINAL</p>		<p>PART #</p> <p>SEE TABLE</p>		<p>PRINT TYPE</p> <p>CA</p>															

## X-ON Electronics

Largest Supplier of Electrical and Electronic Components

*Click to view similar products for [Racks & Rack Cabinet Accessories](#) category:*

*Click to view products by [ESSENTRA](#) manufacturer:*

Other Similar products are found below :

[M00-PLN](#) [F2424](#) [8351-832-A-24](#) [9104](#) [9105](#) [PLFF2000](#) [H-9163-B](#) [1427C3](#) [HTS10](#) [PC-79](#) [SC10-3A](#) [SC4-28](#) [CG3-340S/12](#) [CP-001BK](#)  
[M6123-4007-SS](#) [TS170](#) [LP40](#) [5261304-07](#) [CG3-160G](#) [7112C-PLN](#) [ALUM](#) [CM10](#) [8610-3124-S-26](#) [TS81](#) [7142](#) [GP134](#) [M6125-4007-A-24](#)  
[M6127-4007-SS](#) [PBCOVER](#) [512](#) [AEG-4000G](#) [AEG-3000G](#) [HD99](#) [SR2-66A2](#) [FP10B4HP-1](#) [SR16-66A2](#) [FP52-2](#) [1406-1006-01](#) [29478](#)  
[TS2535](#) [TS169-6](#) [CAC2](#) [HA19-3U](#) [BR-19-10-1](#) [TS180](#) [CG3-ESD](#) [SC11-1](#) [CFS-1.00/2.20](#) [HEC0800PB](#) [ZC633R](#) [140PLN](#)