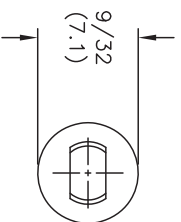
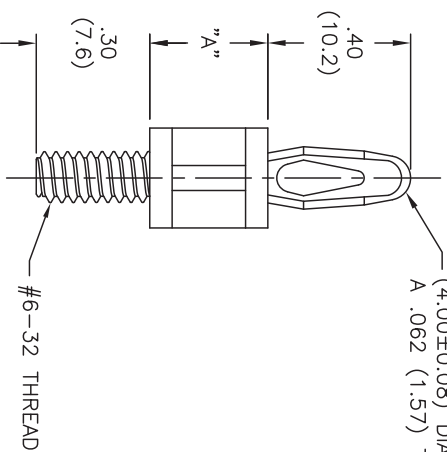


AVAILABLE BY SPECIAL ORDER ONLY

NYLON 6/6 (RMS-01) COLOR: NATURAL	FLAME RET. (RMS-19) COLOR: NATURAL	DIM. "A" ±.015 (±0.4)
PART NO.	PART NO.	
CBS-TM-4-01	CBS-TM-4-19	1/4 (6.4)
CBS-TM-6-01	CBS-TM-6-19	3/8 (9.5)
CBS-TM-8-01	CBS-TM-8-19	1/2 (12.7)
CBS-TM-10-01	CBS-TM-10-19	5/8 (15.9)
CBS-TM-12-01	CBS-TM-12-19	3/4 (19.1)
CBS-TM-14-01	CBS-TM-14-19	7/8 (22.2)
CBS-TM-16-01	CBS-TM-16-19	1 (25.4)
CBS-TM-18-01	CBS-TM-18-19	1-1/8 (28.6)
CBS-TM-20-01	CBS-TM-20-19	1-1/4 (31.8)
CBS-TM-22-01	CBS-TM-22-19	1-3/8 (34.9)
CBS-TM-24-01	CBS-TM-24-19	1-1/2 (38.1)



TO SNAP-FIT IN A .156±.003
(4.00±0.08) DIA. HOLE IN
A .062 (1.57) THICK BOARD



NOTES:
1. M4 THREAD AVAILABLE BY SPECIAL ORDER ONLY.
TO ORDER, ADD "-M4" TO PART NO.
EXAMPLE: CBS-TM-M4-8-XX

G		SEE ECN #862 FOR CHANGES	SM 10.04.04	TITLE: CBS THREADED MALE		DWG IN			
F		UPDATED PRINT AND CHANGED FILE NO.	SM 05.08.02	TOLERANCES UNLESS NOTED		IN (MM)			
E		FR-NYLON REMOVED FROM CHART	J.L. 8.17.98	.XX=±.010		APP:			
D		RMS-19 BY SPECIAL ORDER ADDED	J.L. 12.18.97	.XXX=±.005		DI: 06-20-94 DT:			
C		CHANGED CHART AND ADDED DIMS	J.B. 09.27.95	FRAC=±1/64		RI: RICHCO INC.		PART #	
B		ADD PART NOS. CBS-TM-18 TO CBS-TM-24	RS 04.06.93	ANG=±1°		PO BOX 804238, CHICAGO, 60680		SEE TABLE	
REV		DESCRIPTION	ENGR DATE			(773) 539-4060		CA	

X-ON Electronics

Largest Supplier of Electrical and Electronic Components

Click to view similar products for [Circuit Board Hardware - PCB category](#):

Click to view products by [ESSENTRA manufacturer](#):

Other Similar products are found below :

[8919-0-00-15-00-00-03-0](#) [0135-0-15-01-30-27-04-0](#) [5970-1-15-01-32-14-04-0](#) [0149-0-15-15-30-27-04-0](#) [7305-0-15-15-47-14-10-0](#) [MLN](#)
[150/1 BLACK](#) [8579-0-15-80-11-27-10-0](#) [8579-1-15-15-11-27-10-0](#) [8830-0-15-01-22-14-10-0](#) [8836-0-00-21-00-00-03-0](#) [PRUEF 1 RED](#)
[PRUEF 2 RED](#) [9976-0-00-00-00-00-03-0](#) [PW1616](#) [1215-3-05-00-00-00-01-0](#) [1231](#) [1303-0-15-15-47-14-04-0](#) [1404-3](#) [1404-4](#) [1406-4](#) [1407-3](#)
[1407-4](#) [1408-3](#) [1424-4](#) [1427-3](#) [1419-4](#) [1426-4](#) [MPS 1 BLACK](#) [1548-103](#) [1938-0-00-00-00-00-03-0](#) [1942-0-00-00-00-00-03-0](#) [2101-3-](#)
[00-44-00-00-07-0](#) [2108-2-00-50-00-00-07-0](#) [2109-2-00-44-00-00-07-0](#) [2110-2-00-44-00-00-07-0](#) [2111-2-00-00-00-00-07-0](#) [2113-4-00-44-00-](#)
[00-07-0](#) [2301-3-00-44-00-00-07-0](#) [2308-1-00-50-00-00-07-0](#) [2313-2-00-00-00-00-07-0](#) [2315-2-01-44-00-00-07-0](#) [2317-2-00-50-00-00-07-0](#)
[2333-1-00-50-00-00-07-0](#) [9000-0-00-00-00-00-03-0](#) [2506-2-00-50-00-00-07-0](#) [2507-2-01-44-00-00-07-0](#) [2508-2-00-44-00-00-07-0](#) [2561-2-](#)
[00-44-00-00-07-0](#) [9220](#) [9234-0-15-15-30-14-10-0](#)