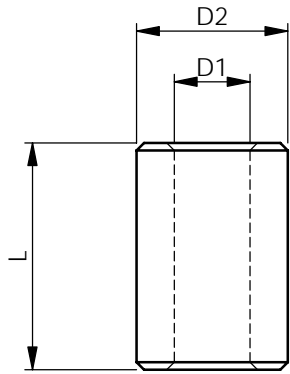
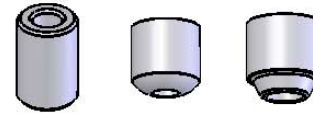
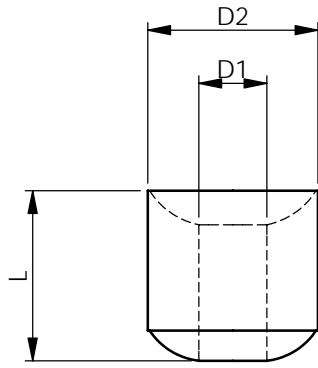


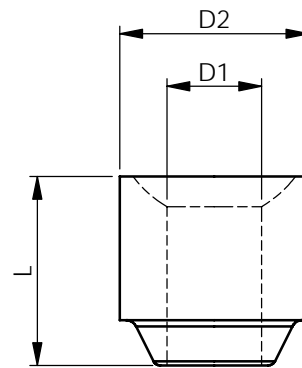
REV.	MODIFICATION.	DATE	DRN
01	NEW DRAWING	30/06/04	NJB
02	PART REF, QTY CHANGED	24/09/04	NJB
03	DUAL DIMENSIONING ADDED	04/10/04	NJB
04	ECN 05-012	11/01/05	NJB
05	ECN 06-034	22/02/06	OW



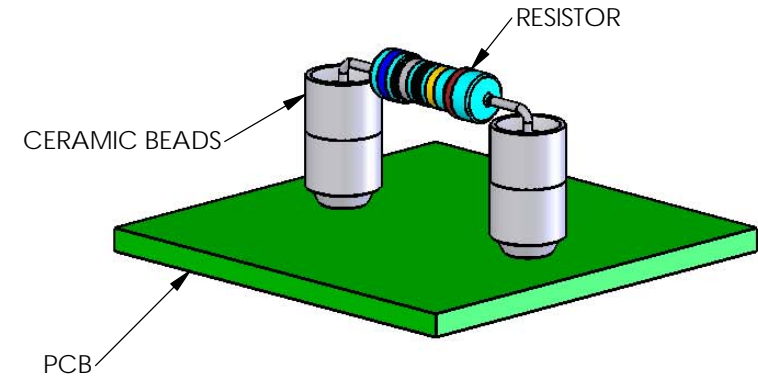
STYLE 1



STYLE 2



STYLE 3



NOTES:
 1) ALL PRIMARY DIMENSIONS IN mm,
 SECONDARY DIMENSIONS IN INCHES.

PART NUMBER	D1	D2	L	STYLE
CER-1	2.0 [.079]	4.0 [.158]	6.0 [.237]	1
CER-2	1.6 [.063]	4.5 [.178]	8.0 [.315]	1
CER-3	1.6 [.063]	4.5 [.178]	10.0 [.394]	1
CER-4	1.0 [.040]	3.0 [.119]	3.0 [.119]	2
CER-5	1.8 [.071]	4.5 [.178]	4.5 [.178]	2
CER-6	1.0 [.040]	3.0 [.119]	5.0 [.197]	2
CER-7	2.5 [.098]	5.0 [.197]	5.0 [.197]	3

INFORMATION CONTAINED IN THIS DOCUMENT IS CONFIDENTIAL TO RICHCO INTERNATIONAL Co. Ltd. AND MAY NOT BE DISCLOSED OR REPRODUCED IN WHOLE OR PART WITHOUT THEIR WRITTEN CONSENT.



METRIC GENERAL TOLERANCES ±0.25 ARE PRIMARY UNLESS OTHERWISE STATED 1 DECIMAL PLACE ± 2 DECIMAL PLACES ± ANGULAR ±1°	IMPERIAL GENERAL TOLERANCES ±0.010 ARE FOR REFERENCE UNLESS OTHERWISE 1 DECIMAL PLACE ± 2 DECIMAL PLACES ± ANGULAR ±1°	THIRD ANGLE
---	---	-----------------

MATERIAL: STEATITE C220 CERAMIC (RMS-170)	COLOUR: NATURAL
--	--------------------

DESCRIPTION: CERAMIC BEADS, SPACERS & TUBES	PART No: CER-X
--	-------------------

DRG No: 04-067	NPR No:	WEIGHT:	SHEET SIZE A4
-------------------	---------	---------	------------------

DRN NJB	DATE 30/06/04	CHKD OW	DATE 30/06/04	SCALE NTS	SHEET No. 1 OF 1
------------	------------------	------------	------------------	--------------	---------------------

X-ON Electronics

Largest Supplier of Electrical and Electronic Components

Click to view similar products for [Standoffs & Spacers](#) category:

Click to view products by [ESSENTRA](#) manufacturer:

Other Similar products are found below :

[588-6208-02](#) [599-9844-02](#) [M0516-3-N](#) [M0518-3-N](#) [M0521-3-N](#) [M0524-3-N](#) [M0532-35-N](#) [M0543-4-AL](#) [M0544-35-N](#) [M0544-3-N](#) [M0545-3-AL](#) [M0553-3-N](#) [M0608-5-SS](#) [M0609-5-SS](#) [M0651-5-SS](#) [M0653-35-N](#) [M0654-4-SS](#) [M0655-5-AL](#) [M0658-35-AL](#) [M0660-4-AL](#) [M0660-4-N](#) [M0670-35-N](#) [M0671-5-N](#) [M0671-5-SS](#) [M0722-5-N](#) [M0725-6-N](#) [M0904-B-25-AL](#) [M1273-2545-AL](#) [M1273-2545-SS](#) [M1273-3005-AL](#) [M1273-3005-SS](#) [M1274-3005-AL](#) [60187](#) [60202-SP](#) [60273](#) [60335-SP](#) [60348-SP](#) [60419-SP](#) [60425-SP](#) [60473-SP](#) [60475-SP](#) [60477-SP](#) [60489-SP](#) [60491-SP](#) [60585-SP](#) [60762-SP](#) [60763-SP](#) [60872-SP](#) [M1303-3506-AL](#) [M1307-3506-AL](#)