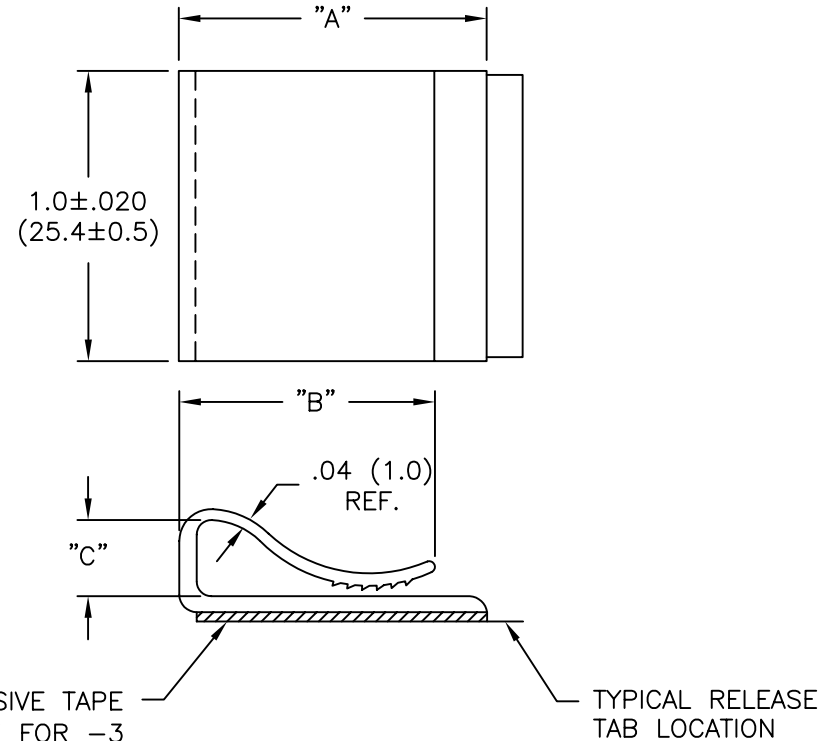


PART NO.	"A"	"B"	"C"±.015 (0.4)	MATERIAL (COLOR)
CFCC-3-05A-RT	.563±.025	.490 (12.45)	.18 (4.6)	NORYL, RMS-05 (WHITE)
CFCC-4-05A-RT	(14.29±0.64)	.420 (10.67)	.25 (6.4)	
CFCC-8-05A-RT	1.062±.030	.880±.025	.25 (6.4)	
CFCC-8-04A-RT	(26.97±0.76)	(22.35±0.64)	.25 (6.4)	RIGID PVC, RMS-04 (GREY)



NOTES:

1. ACRYLIC ADHESIVE TAPE (RMS-15), WHITE LINER.
2. RUBBER ADHESIVE TAPE (RMS-102), BLUE LINER, AVAILABLE BY SPECIAL ORDER ONLY.  
TO ORDER, REPLACE "A-RT" WITH "A1-RT" ON PART NO.  
PARTS ARE ALSO AVAILABLE WITHOUT TAPE BY SPECIAL ORDER.  
TO ORDER, REMOVE SUFFIX "-A-RT" FROM THE PART NO.
3. CUSTOM LENGTHS AVAILABLE BY SPECIAL ORDER.

L	SEE ECN #980 FOR CHANGES	SK 04.12.05
K	SEE ECN #635 FOR CHANGES	SM 05.27.03
J	ADDED RUBBER ADHESIVE BY SPECIAL ORDER	SM 09.11.02
I	ADDED NOTE 1 & CORRECTED METRIC DIM.	SJ 3.13.02
H	CORRECTED TAPE NOTE	SM 12.13.01
G	ADDED RMS-05 AND RMS-04 TO MATERIAL	SM 12.11.01
F	CHANGED FILE NO. AND TITLE BLOCK	SM 07.20.01
E	ADDED ±.020 TOL. A DIM	JK 9.1.99
D	CONVERTED TO ACAD	PB 06.21.95
C	ADD MAT'L, COLOR	RS 10.29.92
B	ADDED PART NO. CFCC-8-04A-RT ADD SUFFIX "A" IN ALL P/N'S	RS 06.22.92
A	ADDED CFCC-3 TO CHART	AH 03.07.90
REV	DESCRIPTION	ENGR DATE

DOUBLE SIDED ADHESIVE TAPE  
1/32 (0.8) THICK FOR -3  
1/16 (1.6) THICK FOR -4 & -8

TITLE: CONTINUOUS FLAT CABLE CLAMPS		DWG IN IN (MM)	FINAL	PRINT TYPE CA
FILE # CFCC	DWN: P.B.	APP: DLC	PART # SEE TABLE	
MAT'L: SEE TABLE	DT: 06-21-94	DT: 09/11/02		
RE: RICHCO, INC.	RICHCO INC. PO BOX 804238, CHICAGO, 60680 (773) 539-4060			

TOLERANCES  
UNLESS NOTED  
.XX=±.020  
.XXX=±.015  
FRAC=±1/32  
ANG=±1°

## X-ON Electronics

Largest Supplier of Electrical and Electronic Components

*Click to view similar products for [Cable Mounting & Accessories](#) category:*

*Click to view products by [ESSENTRA](#) manufacturer:*

Other Similar products are found below :

[582603-1](#) [009333-000](#) [727844N003](#) [747](#) [809090N001](#) [843188-000](#) [8666](#) [967279N002](#) [DB-11](#) [1300840039](#) [1300900096](#) [1301800416](#)  
[1302264450](#) [1300830184](#) [1300830729](#) [1300900039](#) [1301580036](#) [1301850553](#) [1301860939](#) [1302000074](#) [1302261315](#) [1302264431](#)  
[1337706-2](#) [APA18-AK](#) [1724](#) [1-787307-1](#) [185491N001](#) [1868](#) [HP-6N](#) [C-202-C](#) [202C221-13-0](#) [CA7308-000](#) [8S23-75FR-CS8184](#) [2684](#) [9648](#)  
[3089](#) [988382-000](#) [A72821-000](#) [AA401](#) [173506-000](#) [1823](#) [202C292-13-0](#) [202C302-13-0](#) [2109](#) [300625](#) [3330](#) [3412](#) [356247-1](#) [M9142](#)  
[M9143](#)