

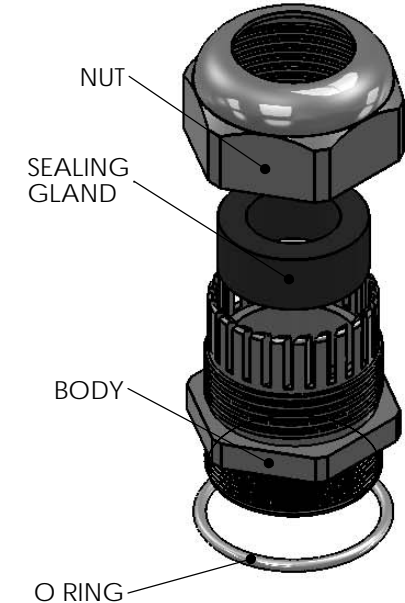
RICUS #E336396

REV.	MODIFICATION.	DATE	DRN
01	Production release	08/10/09	MT
02	CO2010958	15/07/10	MT
03	CO2011029	14/12/10	SF
04	CO2011176	27/07/11	SF

PART NUMBER COLOUR: GREY RAL 7035 SPECIAL ORDER NAFTA	PART NUMBER COLOUR: BLACK RAL 9005 SPECIAL ORDER EU	THREAD SIZE	CABLE DIAMETER		SUGGESTED CLEARANCE HOLE FOR NON THREADED MOUNTING	"L" ±0.5[.020]	"SW-1" ±0.5[.020]	"H" MAX REF	INSTALLATION TORQUE**
			MIN Ø	MAX Ø					
CG-PG7-1	CG-PG7-1-BK	PG7	2[.079]	5[.197]	12.7[.500]	8[.315]	15[.591]	30.5[1.201]	0.7
CG-PG7-2	CG-PG7-2-BK		3[.118]	6.5[.256]					
CG-PG9-1	CG-PG9-1-BK	PG9	2[.079]	6[.236]	15.4[.606]	8[.315]	19[.748]	34[1.339]	2.2
CG-PG9-2	CG-PG9-2-BK		4[.157]	8[.315]					
CG-PG11-1	CG-PG11-1-BK	PG11	3[.118]	7[.276]	18.8[.740]	8[.315]	22[.866]	37[1.457]	2.2
CG-PG11-2	CG-PG11-2-BK		5[.197]	10[.394]					
CG-PG13.5-1	CG-PG13.5-1-BK	PG13.5	6[.236]	12[.472]	20.7[.815]	9[.354]	24[.945]	39[1.535]	2.7
CG-PG16-1	CG-PG16-1-BK	PG16	10[.394]	14[.551]	22.8[.898]	10[.394]	27[1.063]	42.5[1.673]	3.0
CG-PG21-1	CG-PG21-1-BK	PG21	9[.236]	16[.630]	28.6[1.126]	11[.433]	33[1.299]	47.5[1.870]	5.0
CG-PG21-2	CG-PG21-2-BK		13[.512]	18[.709]					
CG-PG29-1	CG-PG29-1-BK	PG29	12[.472]	20[.787]	37.4[1.472]		42[1.654]	53[2.087]	7.5
CG-PG36-1	CG-PG36-1-BK	PG36	20[.787]	26[1.024]	47.5[1.870]	13[.512]	53[2.087]	61[2.402]	
CG-PG36-2	CG-PG36-2-BK		22[.866]	32[1.260]					

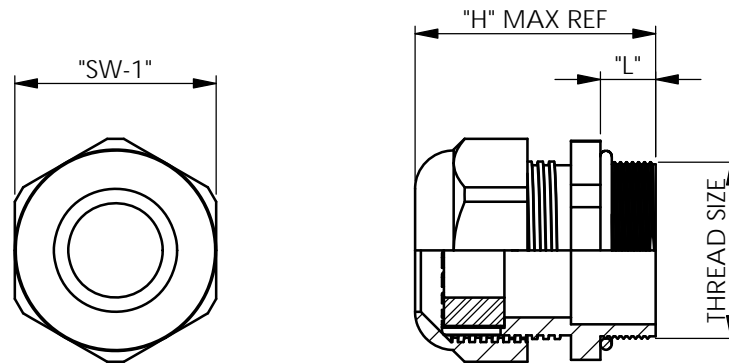
O RING INCLUDED WITH THREADS PG29 AND PG36

**TESTED WITH SPECIFIED TEST MANDRELS ACCORDING DIN EN 50262, CHAPTER 5.7. DEPENDING ON THE CABLE CONSTRUCTION DIFFERENCES ARE POSSIBLE.



ALTERNATE UNITS FOR REFERENCE ONLY

<p>INFORMATION CONTAINED IN THIS DOCUMENT IS CONFIDENTIAL TO RICHCO INTERNATIONAL Co. Ltd. AND MAY NOT BE DISCLOSED OR REPRODUCED IN WHOLE OR PART WITHOUT THEIR WRITTEN CONSENT.</p>					
<p>RICHCO, INC. WWW.RICHCO-INC.COM</p>			<p>ALL DIMENSIONS IN mm[inch] GENERAL TOLERANCES UNLESS OTHERWISE STATED 1 DECIMAL PLACE ± 2 DECIMAL PLACES ± ANGULAR ±1°</p>		<p>THIRD ANGLE</p>
<p>MATERIAL: BODY AND NUT - NYLON 6 UL94 V-2 (RMS-036) SEALING GLAND - CR/NBR (RMS-037) O RING - NBR (RMS-041)</p>			<p>COLOUR: BODY AND NUT: SEE TABLE SEAL: GREY, O RING: BLACK</p>		
<p>DESCRIPTION: CABLE GLANDS - PG TYPE</p>			<p>PART No: CG-PGXX-X</p>		
<p>DRG No: 09-109</p>		<p>NPR No: EU09-0034</p>		<p>SHEET SIZE A4</p>	
<p>DRN MT</p>	<p>DATE 09/04/09</p>	<p>CHKD TC</p>	<p>DATE 08/10/09</p>	<p>SCALE NTS</p>	<p>SHEET No. 1 OF 1</p>



NOTES:
TEMPERATURE RANGE -20°C TO +100°C
PROTECTION GRADE IP68 - 5 BAR

X-ON Electronics

Largest Supplier of Electrical and Electronic Components

Click to view similar products for [Cable Glands, Strain Reliefs & Cord Grips](#) category:

Click to view products by [Essentra](#) manufacturer:

Other Similar products are found below :

[1300980012](#) [1300980105](#) [DBZM-6828](#) [1498](#) [15190-103 R2](#) [300623](#) [07402002](#) [VC-M-KV-PG16 1X3/1X8](#) [5525](#) [35935](#) [35882](#) [M4340GAE](#)
[4597](#) [NG-9516 Gasket](#) [52006157](#) [52006176](#) [BM4963L](#) [53629556](#) [53629570](#) [53629675](#) [52025230](#) [52024853](#) [52103160](#) [52115810](#)
[53017640](#) [53019051](#) [53112270](#) [53112330](#) [53112860](#) [53112879](#) [53112929](#) [53111470](#) [53015270](#) [53015090](#) [53018090](#) [PG-29](#) [36680](#) [36681](#)
[36550](#) [35226](#) [35228](#) [36382](#) [36310](#) [35231](#) [36818](#) [36302](#) [36827](#) [37102-90](#) [35203](#) [35098](#)