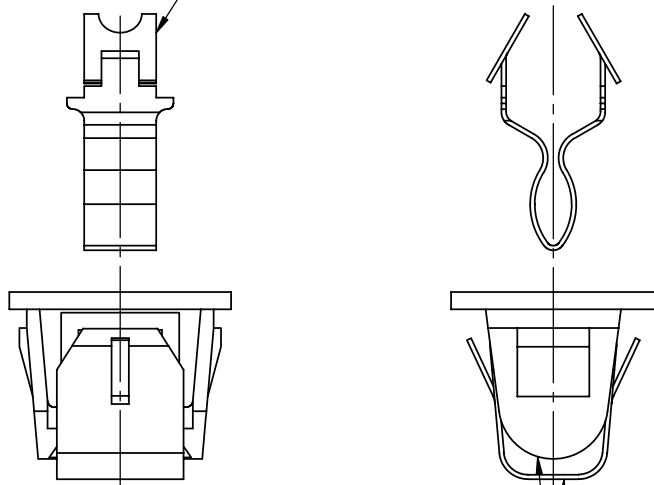
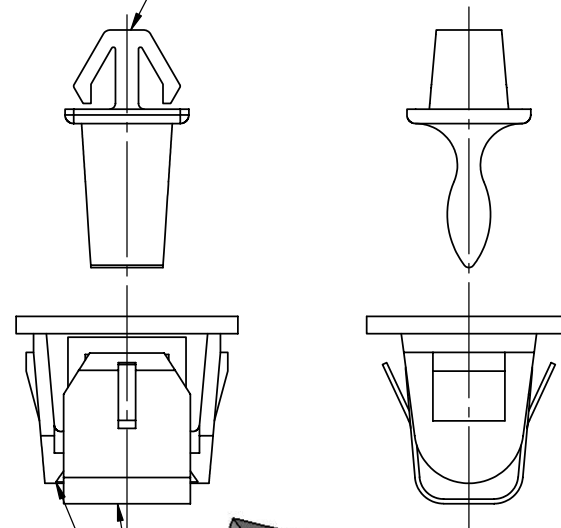


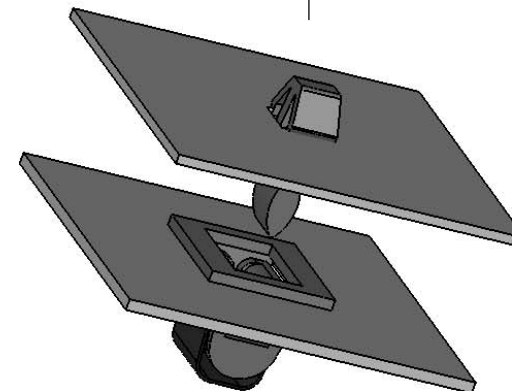
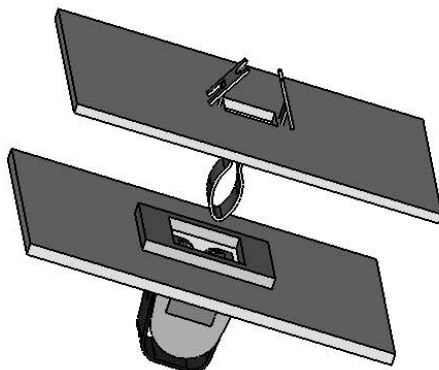
METAL STRIKER
DCS-4
TO SNAP-LOCK INTO A .287
[7.29] SQUARE HOLE, IN A
.032-.052 [0.81-1.32] PANEL THICKNESS



PLASTIC STRIKER
DCS-1
TO SNAP-LOCK INTO A .287
[7.29] SQUARE HOLE, IN A
.032-.052 [0.81-1.32] PANEL THICKNESS



CATCH ASSEMBLY
DCS-7
TO SNAP-LOCK INTO A .515 X .655
[13.08 X 16.64] RECTANGLE HOLE,
IN A .035-.062 [0.89-1.57] PANEL THICKNESS



TITLE: DOOR CATCH AND STRIKERS		DWG IN IN [MM]		FINAL	
CREATED USING SOLIDWORKS	FILE #: DCS	DWN: SK	APP: DZ	PART #	
TOLERANCES UNLESS NOTED XX=±.010 XXX=±.005 FRAC.=±1/64 ANG.=±1°	SHEET: 1 OF 1	SHEET SIZE: A	DT: 07/26/05	CHKD: SJ	PRINT TYPE
RE: RICHCO, INC.	RICHCO, INC. ENG@RICHCO-INC.COM (773) 539-4060		SEE DRAWING		CA

A	SEE ECN #1033 FOR CHANGES	SK	07/27/05
REV.	DESCRIPTION	ENGR.	DATE

X-ON Electronics

Largest Supplier of Electrical and Electronic Components

Click to view similar products for [Racks & Rack Cabinet Accessories](#) category:

Click to view products by [ESSENTRA](#) manufacturer:

Other Similar products are found below :

[M00-PLN](#) [F2424](#) [8351-832-A-24](#) [9104](#) [9105](#) [PLFF2000](#) [H-9163-B](#) [1427C3](#) [HTS10](#) [PC-79](#) [SC10-3A](#) [SC4-28](#) [CG3-340S/12](#) [CP-001BK](#)
[M6123-4007-SS](#) [TS170](#) [LP40](#) [5261304-07](#) [CG3-160G](#) [7112C-PLN](#) [ALUM](#) [CM10](#) [8610-3124-S-26](#) [TS81](#) [7142](#) [GP134](#) [M6125-4007-A-24](#)
[M6127-4007-SS](#) [PBCOVER](#) [512](#) [AEG-4000G](#) [AEG-3000G](#) [HD99](#) [SR2-66A2](#) [FP10B4HP-1](#) [SR16-66A2](#) [FP52-2](#) [1406-1006-01](#) [29478](#)
[TS2535](#) [TS169-6](#) [CAC2](#) [HA19-3U](#) [BR-19-10-1](#) [TS180](#) [CG3-ESD](#) [SC11-1](#) [CFS-1.00/2.20](#) [HEC0800PB](#) [ZC633R](#) [140PLN](#)