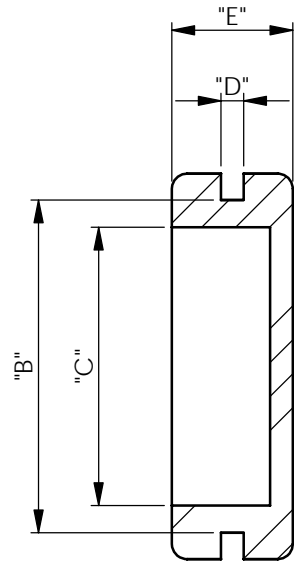
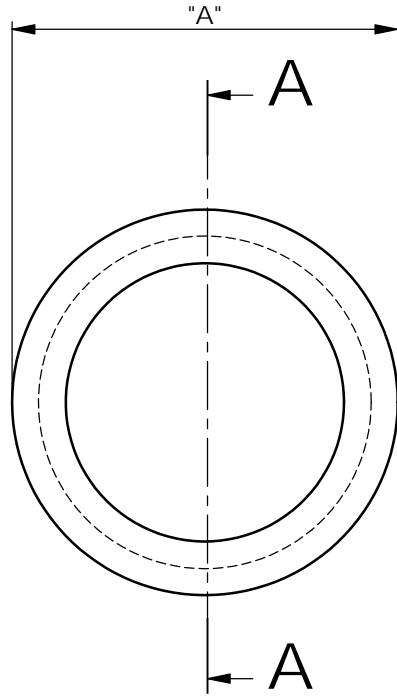
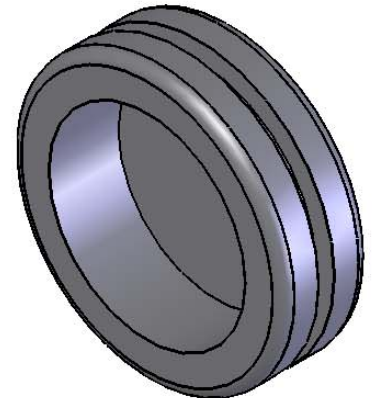


REV.	MODIFICATION.	DATE	DRN
A	NEW DWG	221295	
B	SCN99-027	290499	JPM
C	SCN01-110	251001	JPM
D	ECN#802	160604	NJB
E	ECR05-041	310305	NBr
06	ECR06-032	180106	OW
07	ECR06-035	260106	OW
08	ECN07-050	270207	OW




SECTION A-A



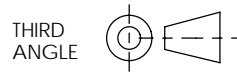
NOTES  
 1a) METRIC PRIMARY UNITS:mm  
 1b) IMPERIAL SECONDARY UNITS: [inches]  
 2) PARTS ALSO AVAILABLE IN V0 RATED MATERIAL (RMS-263) BY SPECIAL ORDER.

DGB-2.5	9.4 [.37]	6.4 [.252]	4.1 [.161]	0.8 [.032]	3.6 [.142]
DGB-4	12.7 [.5]	9.9 [.39]	6.4 [.252]	1.5 [.06]	6.6 [.26]
DGB-5	15.7 [.62]	12.5 [.49]	9.5 [.374]	1.5 [.06]	6.4 [.252]
DGB-6	17.5 [.689]	11.0 [.433]	8.0 [.315]	1.5 [.06]	8.0 [.315]
DGB-7	19.0 [.75]	16.0 [.63]	11.0 [.433]	1.5 [.06]	8.0 [.315]
DGB-10	25.5 [1.004]	22.0 [.866]	18.4 [.724]	1.5 [.06]	8.0 [.315]
DGB-11	25.5 [1.004]	19.0 [.75]	16.0 [.63]	1.5 [.06]	7.0 [.276]
DGB-13	30.0 [1.2]	25.5 [1.004]	20.5 [.807]	1.5 [.06]	8.0 [.315]
PART NUMBER	"A"	"B"	"C"	"D"	"E"

INFORMATION CONTAINED IN THIS DOCUMENT IS CONFIDENTIAL TO RICHCO INTERNATIONAL Co. Ltd. AND MAY NOT BE DISCLOSED OR REPRODUCED IN WHOLE OR PART WITHOUT THEIR WRITTEN CONSENT.



GENERAL TOLERANCE:  
 FOR REFERENCE ONLY ±0.5 [.02]  
 UNLESS OTHERWISE STATED  
 ANGULAR ±1°



THIRD ANGLE

MATERIAL: <b>TPE (RMS-262)</b>		COLOUR: <b>BLACK</b>	
DESCRIPTION: <b>DIAPHRAGM GROMMET, BLIND</b>		PART No: <b>SEE TABLE</b>	
DRG No: <b>770-0001</b>	NPR No: <b>N/A</b>	SHEET SIZE <b>A4</b>	
DRN <b>OW</b>	DATE <b>31/03/05</b>	CHKD <b>NBr</b>	DATE <b>31/03/05</b>
SCALE <b>NTS</b>	SHEET No. <b>1 OF 1</b>		

## X-ON Electronics

Largest Supplier of Electrical and Electronic Components

*Click to view similar products for [Grommets & Bushings](#) category:*

*Click to view products by [ESSENTRA](#) manufacturer:*

Other Similar products are found below :

[M10-036565-101](#) [M10-036565-143](#) [M10-036565-183](#) [205339-4](#) [M10-036565-122](#) [M10-036565-163](#) [3-1991136-0](#) [561-FGUP0850B](#) [561-MP13716](#) [561-FGUP0400N](#) [1398081-1](#) [1301800320](#) [M10-036565-232](#) [2298](#) [4014B](#) [2407](#) [2141-P](#) [HTL-40-10-TPE](#) [2417-P](#) [2917-P](#) [3108-P](#) [2871-P](#) [1342664](#) [60466](#) [50687](#) [12468](#) [51409](#) [12462](#) [15517](#) [60752](#) [60218](#) [12463](#) [BDE 21](#) [BDE 29](#) [HSS-M12-TPE RAL9005](#) [HSS-M16-TPE RAL9005](#) [HSS-M25-TPE RAL9005](#) [HSS-M20-TPE RAL9005](#) [HTT-21 RAL7035](#) [BDE 11](#) [BDE 13](#) [BDE13](#) [BDE 16](#) [SRF42](#) [100187](#) [100188](#) [100216](#) [100223](#) [100236](#) [52001970](#)