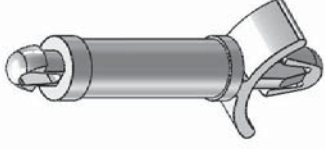
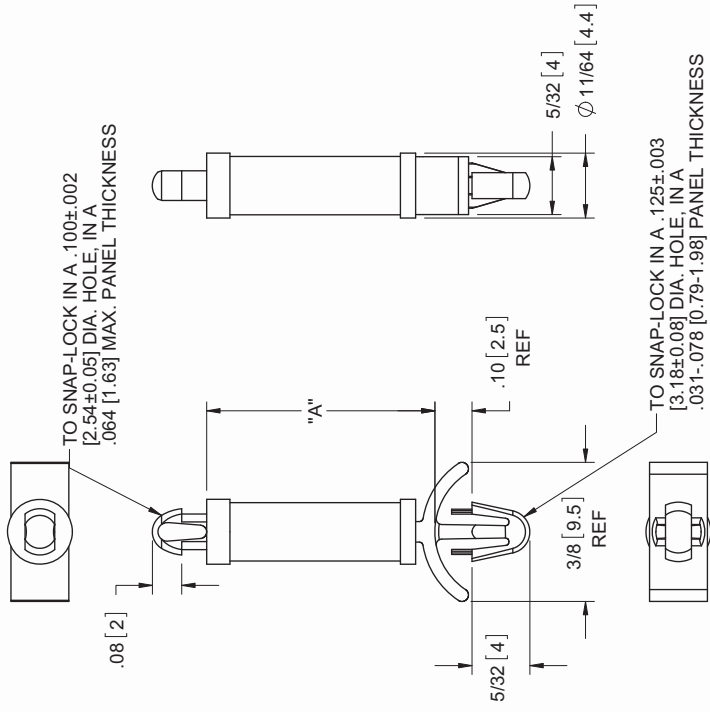


MATERIAL: NYLON 6/6 UL 94 V-2 (RMS-01) COLOR: NATURAL PART NO.	DIM. "A"±.015 [0.4]
DLCBSAT-2-01	1/8 [3.2]
DLCBSAT-3-01	3/16 [4.8]
DLCBSAT-4-01	1/4 [6.4]
DLCBSAT-5-01	5/16 [7.9]
DLCBSAT-6-01	3/8 [9.5]
DLCBSAT-7-01	7/16 [11.1]
DLCBSAT-8-01	1/2 [12.7]
DLCBSAT-9-01	9/16 [14.3]
DLCBSAT-10-01	5/8 [15.9]



- NOTES:  
 1. MATERIAL: NYLON 6/6 UL 94 V-0 (RMS-19),  
 AVAILABLE BY SPECIAL ORDER ONLY.  
 2. COLOR: NATURAL.  
 3. ALTERNATE UNITS FOR REFERENCE ONLY.

TITLE: DUAL LOCKING CBS, ARROWHEAD/TEARDROP

REV.	DESCRIPTION	ENGR.	DATE
F	SEE CO 200628 FOR CHANGES	SK	02/17/11
E	REDRAWN, SEE ECN #1208 FOR CHANGES	SK	11/29/06
-	SEE ENGINEERING FOR REVISIONS A-D	---	----
FILE #:	DLCBSAT	DWN: SK	APP: RT
SHEET: 1 OF 1	SHEET SIZE: A	DT: 11/27/06	CHKD: SJ
RE:	RICHCO, INC.	RICHCO, INC. ENG@RICHCO-INC.COM (773) 538-4060	
CREATED USING 10 SERVICES UNLESS NOTED XX±.010 XXX±.005 FRAC=±1/64 ANG=±1°			
DWG IN IN [MM]	FINAL	PART #	SEE TABLE
			PRINT TYPE CA



## X-ON Electronics

Largest Supplier of Electrical and Electronic Components

*Click to view similar products for [ESSENTRA](#) manufacturer:*

Other Similar products are found below :

[HTSN-M3-12-6-2](#) [SNGS-2.5B](#) [SHR-20-6V0B](#) [MCCG-2N](#) [AKKL-5775A-RT](#) [BT-4-10-BL](#) [MTG-1](#) [495918](#) [495916](#) [CF1080A](#) [HR2P-1/8](#)  
[MWSET2-2-19](#) [SHR-15-6NB](#) [MTS2010A](#) [HR4P-1/4](#) [SOF-15126](#) [550244](#) [SHR-25-6V0B](#) [CH200X250-48](#) [BPF-F1G12](#) [MDLSP1-10M-01](#)  
[SNGS-2.5](#) [HR6U-3/8](#) [SPGSG-3](#) [SHR-15-6V0B](#) [201-USS](#) [NGS-1](#) [CS010A](#) [RG-1](#) [495686](#) [SHR-20-PPB](#) [100206400002](#) [HTSN-M3-30-8-1](#)  
[TNM3-6.5-12-1](#) [TNM3-6.5-25-2](#) [SPGS-1](#) [SPGS-2.5](#) [HR6P-3/8](#) [CAT-08-PP-BU](#) [OFBLT-3.1-05-PP](#) [VPH-1840](#) [RG-2](#) [NE16](#) [WIT-3A](#) [WIT-](#)  
[2A](#) [NGS-2](#) [61PRT0125](#) [RGS1-60466](#) [PGS-3](#) [SNGS-1](#)