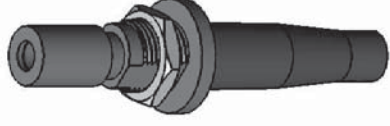
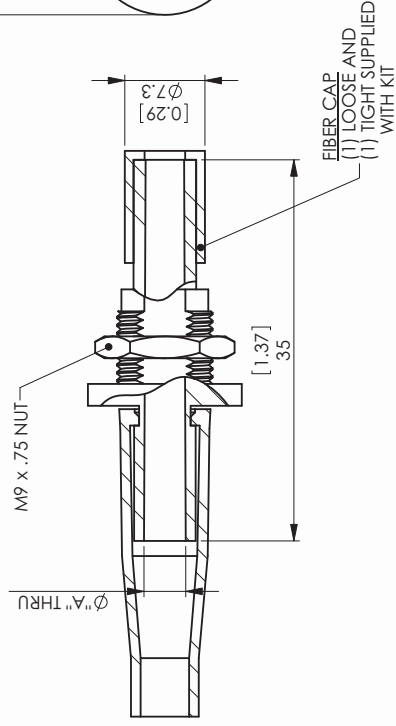
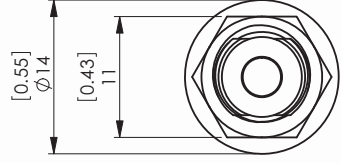


REV.	MODIFICATION.	DATE	DRN
01	CO2010844	19/10/09	MT



PART NUMBER	"A"
EFA52 02 ASS	3.5[.138]
EFA52 05 ASS	2.5[.098]

ALTERNATE UNITS FOR REFERENCE ONLY

INFORMATION CONTAINED IN THIS DOCUMENT IS CONFIDENTIAL TO RICHCO INTERNATIONAL Co. Ltd. AND MAY NOT BE DISCLOSED OR REPRODUCED IN WHOLE OR PART WITHOUT THEIR WRITTEN CONSENT.

RICHCO, INC.
WWW.RICHCO-INC.COM

ALL DIMENSIONS IN mm
GENERAL TOLERANCES +0.25
ANGLE
THIRD
UNLESS OTHERWISE STATED
1 DECIMAL PLACE ±
2 DECIMAL PLACES ±
ANGULAR ± 1°



MATERIAL:	COLOUR:				
NYLON 6 UL94 V-0 (RMS-178)	BLACK				
DESCRIPTION:	PART NO:				
QUICK PANEL MOUNT STRAIN RELIEF GLAND	SEE TABLE				
DRG No:	NPR No:				
09-115					
DRN	DATE	CHKD	DATE	SCALE	SHEET No.
MT	16/10/09	TC	19/10/09	NTS	1 OF 1

NOTES:
OUTSIDE OF LOOSE FIBRE CAP MARKED WITH VERTICAL LINE

FORM No. 0143/00

X-ON Electronics

Largest Supplier of Electrical and Electronic Components

Click to view similar products for [Cable Glands, Strain Reliefs & Cord Grips](#) category:

Click to view products by [ESSENTRA](#) manufacturer:

Other Similar products are found below :

[1218](#) [1300980012](#) [1300980105](#) [DBZM-6828](#) [1498](#) [915](#) [300623](#) [5632NM](#) [1124](#) [1151](#) [561-MP6P4WH](#) [5534M](#) [5525](#) [9000005073](#) [52104486](#)
[5315817](#) [N16 025 0112 1](#) [N16 020 0112 1](#) [M6106](#) [7422](#) [NG-9516 Gasket](#) [N16 016 0112 1](#) [NG-9514 Gasket](#) [52006151](#) [2704](#) [BM4940L](#)
[BM4950L](#) [1.097.2012.50](#) [1.152.0900.01](#) [1.152.1300.01](#) [1.152.2000.50](#) [1.152.2100.01](#) [1.152.2500.50](#) [1.152.4000.50](#) [1.209.1218.70](#)
[1.209.6400.71](#) [1.609.1100.01](#) [1.609.2900.15](#) [1.609.3200.52](#) [1.609.3600.15](#) [1.609.5000.51](#) [1.676.1600.51](#) [1.676.2500.50](#) [52015760](#) [52103150](#)
[53112705](#) [53112715](#) [53112735](#) [53119073](#) [54115405](#)