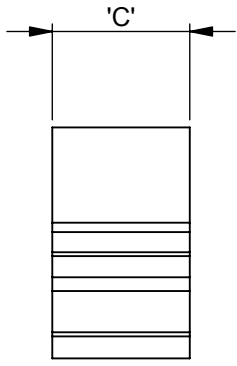
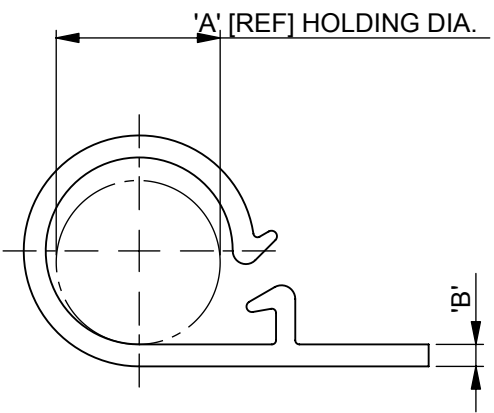
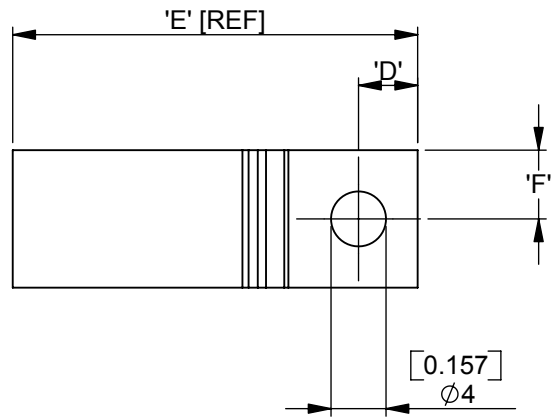
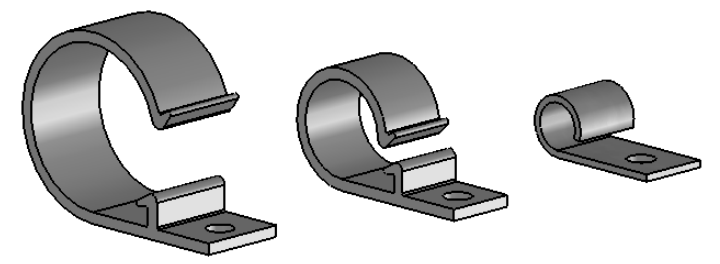


A B C D E F



REV.	MODIFICATION.	DATE	DRN
01	NEW DRAWING	21/02/05	NJB
02	ECN 2005-032	02/03/05	NJB
03	ECN 2005-044	06/04/05	NJB
04	ECN 2007-209	23/11/07	NJB
05	ECN 2008-009	14/01/08	SF
06	CO2010138	11/03/08	SF
07	CO2010171	03/04/08	SF
08	CO2010206	01/05/08	SF



EXWHC2-750 EXWHC2-500 EXWHC2-250

**NOTES**  
 1) PARTS ARE AVAILABLE IN BLACK  
 ADD "BK" TO END OF PART NUMBER:  
 EXWHC2-500-01BK.

*INFORMATION CONTAINED IN THIS DOCUMENT IS CONFIDENTIAL TO RICHCO INTERNATIONAL Co. Ltd. AND MAY NOT BE DISCLOSED OR REPRODUCED IN WHOLE OR PART WITHOUT THEIR WRITTEN CONSENT.*

PART No.	"A" HOLDING Ø	"B"	"C"	"D"	"E" REF	"F"	MATERIAL
EXWHC2-750-01	18.0[.708]	1.8[.070]	12.7[.500]	4.7[.185]	35.0[1.377]	6.35[.250]	NYLON 6/6 UL94 V-2 (RMS-01)
EXWHC2-750-19							NYLON 6/6 UL94 V-0 (RMS-19)
EXWHC2-500-01	12.7[.500]	1.6[.063]	10.0[.394]	30.0[1.181]	5.0[.196]	NYLON 6/6 UL94 V-2 (RMS-01)	
EXWHC2-500-19						NYLON 6/6 UL94 V-0 (RMS-19)	
EXWHC2-250-01	6.35[.250]	1.0[.039]	10.0[.394]	6.0[.236]	21.0[0.827]	5.0[.196]	NYLON 6/6 UL94 V-2 (RMS-01)
EXWHC2-250-19							NYLON 6/6 UL94 V-0 (RMS-19)

		METRIC PRIMARY UNITS: mm IMPERIAL SECONDARY UNITS: [inches] GENERAL TOLERANCES ±0.25 [0.010] UNLESS OTHERWISE STATED 1 DECIMAL PLACE ± 2 DECIMAL PLACES ± ANGULAR ±1°		
		MATERIAL: <b>SEE TABLE</b>		
DESCRIPTION: <b>WIRE HARNESS CLIP</b>				PART No: <b>SEE TABLE</b>
DRG No: <b>05-024</b>		NPR No: <b>2007-436</b>		SHEET SIZE <b>A4</b>
DRN <b>NJB</b>	DATE <b>21/02/05</b>	CHKD <b>NBR</b>	DATE <b>22/02/05</b>	SCALE <b>NTS</b>
				SHEET No. <b>1 OF 1</b>

## X-ON Electronics

Largest Supplier of Electrical and Electronic Components

*Click to view similar products for [Cable Mounting & Accessories](#) category:*

*Click to view products by [ESSENTRA](#) manufacturer:*

Other Similar products are found below :

[582603-1](#) [009333-000](#) [727844N003](#) [747](#) [809090N001](#) [843188-000](#) [8666](#) [967279N002](#) [DB-11](#) [1300840039](#) [1300900096](#) [1301800416](#)  
[1302264450](#) [1300830184](#) [1300830729](#) [1300900039](#) [1301580036](#) [1301850553](#) [1301860939](#) [1302000074](#) [1302261315](#) [1302264431](#)  
[1337706-2](#) [APA18-AK](#) [1724](#) [1-787307-1](#) [185491N001](#) [1868](#) [HP-6N](#) [C-202-C](#) [202C221-13-0](#) [CA7308-000](#) [8S23-75FR-CS8184](#) [2684](#) [9648](#)  
[3089](#) [988382-000](#) [A72821-000](#) [AA401](#) [173506-000](#) [1823](#) [202C292-13-0](#) [202C302-13-0](#) [2109](#) [300625](#) [3330](#) [3412](#) [356247-1](#) [M9142](#)  
[M9143](#)