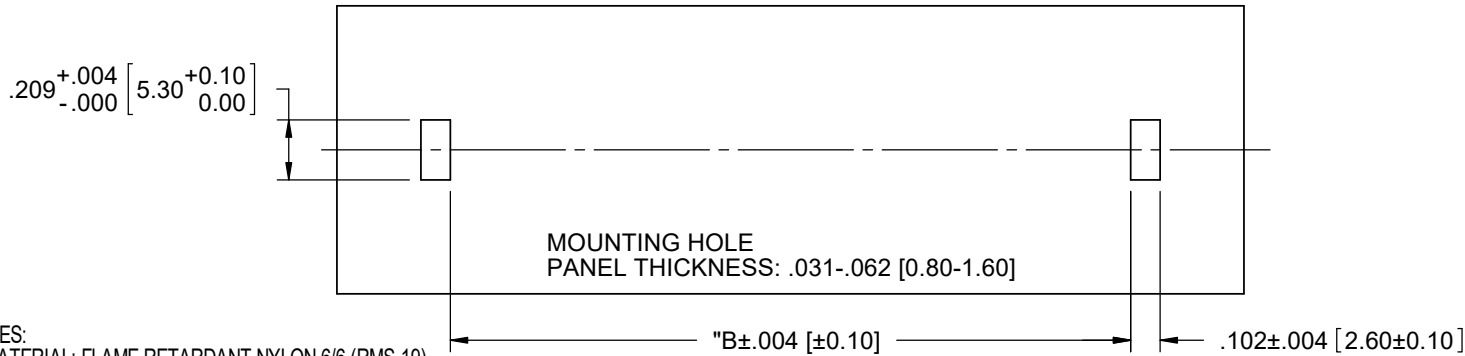
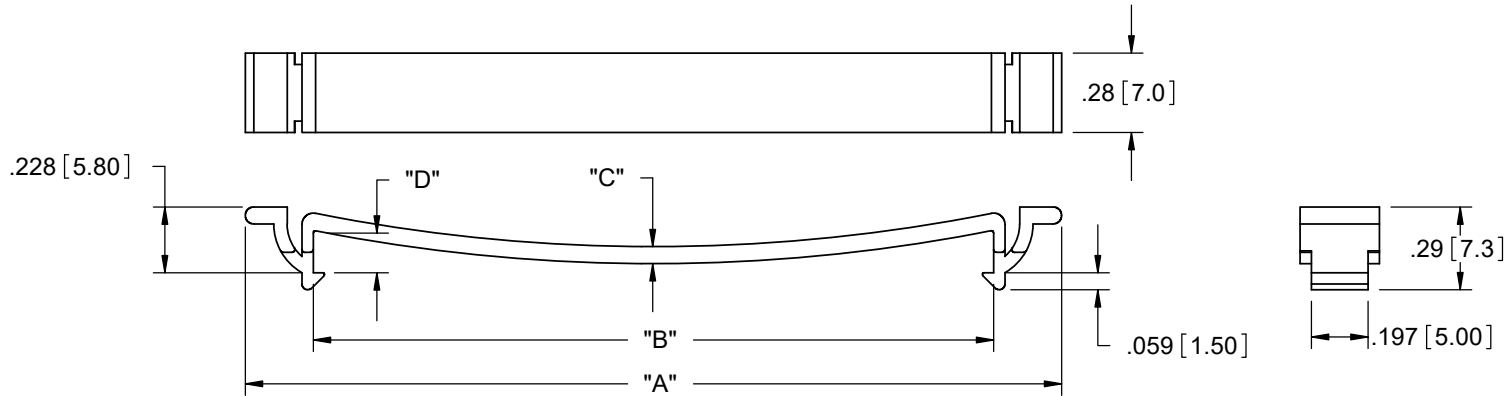


PART NO.	"A" REF	"B" REF FOR PART	"C"	"D"
FCCS-1	1.06 [27.0]	.59 [15.0]	.031 [0.80]	.13 [3.4]
FCCS-2	1.65 [42.0]	1.18 [30.0]	.039 [1.0]	.15 [3.7]
FCCS-3	1.85 [47.0]	1.38 [35.0]		
FCCS-4	2.24 [57.0]	1.77 [45.0]	.047 [1.20]	
FCCS-5	2.83 [72.0]	2.36 [60.0]	.059 [1.50]	



NOTES:
 1. MATERIAL: FLAME RETARDANT NYLON 6/6 (RMS-19)
 NYLON 6/6 (RMS-01) AVAILABLE BY SPECIAL ORDER.
 2. COLOR: NATURAL.
 BLACK AVAILABLE BY SPECIAL ORDER.
 TO ORDER USE PART NO. FCCS-XBK

TITLE: FLAT CABLE CLAMP, SNAP-IN				UNITS: INCH [mm]	
CREATED USING SOLIDWORKS		FILE #: FCCS	DWN: SK	APP: SK	FINAL
TOLERANCES UNLESS NOTED .XX=±.010 .XXX=±.005 FRAC.=±1/64 ANG.=±1°		SHEET: 1 OF 1	SHEET SIZE: A	DT: 05/26/2005	CHKD: SJ
RE: RICHCO, INC.		RICHCO, INC. ENG@RICHCO-INC.COM (773) 539-4060		PART #	PRINT TYPE
SEE TABLE		CA			

REV.	DESCRIPTION	ENGR.	DATE
C	MADE "A" AND "B" PART DIMENSIONS REF. ECN # 1448	DZ	06/05/2019
B	ADDED COLOR BLACK. SEE CO 200697	SK	08/15/2011
A	RELEASED FOR PRODUCTION	SK	06/09/2005

X-ON Electronics

Largest Supplier of Electrical and Electronic Components

Click to view similar products for [Cable Mounting & Accessories](#) category:

Click to view products by [ESSENTRA](#) manufacturer:

Other Similar products are found below :

[582603-1](#) [009333-000](#) [727844N003](#) [747](#) [809090N001](#) [843188-000](#) [8666](#) [967279N002](#) [DB-11](#) [1300840039](#) [1300900096](#) [1301800416](#)
[1302264450](#) [1300830184](#) [1300830729](#) [1300900039](#) [1301580036](#) [1301850553](#) [1301860939](#) [1302000074](#) [1302261315](#) [1302264431](#)
[1337706-2](#) [APA18-AK](#) [1724](#) [1-787307-1](#) [185491N001](#) [1868](#) [HP-6N](#) [C-202-C](#) [202C221-13-0](#) [CA7308-000](#) [8S23-75FR-CS8184](#) [2684](#) [9648](#)
[3089](#) [988382-000](#) [A72821-000](#) [AA401](#) [173506-000](#) [1823](#) [202C292-13-0](#) [202C302-13-0](#) [2109](#) [300625](#) [3330](#) [3412](#) [356247-1](#) [M9142](#)
[M9143](#)