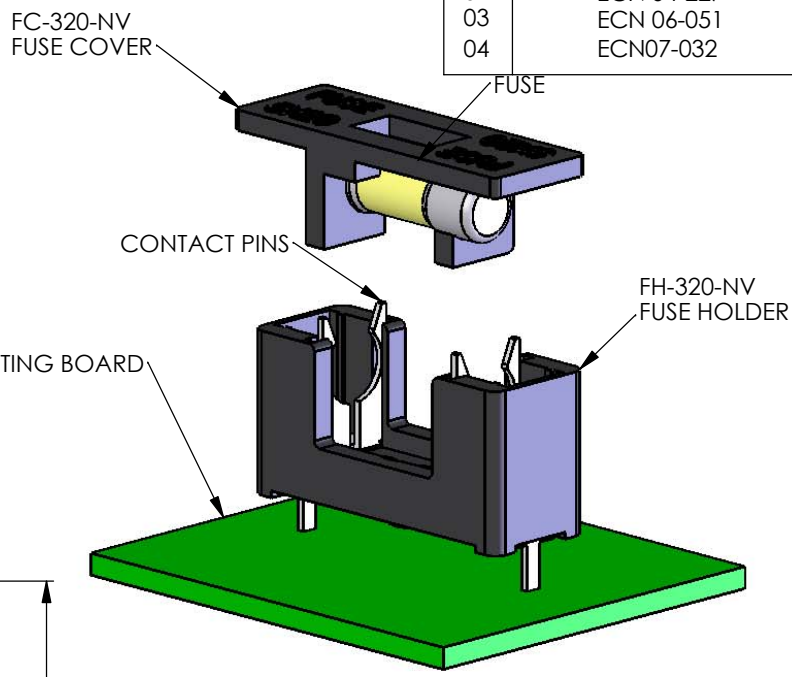
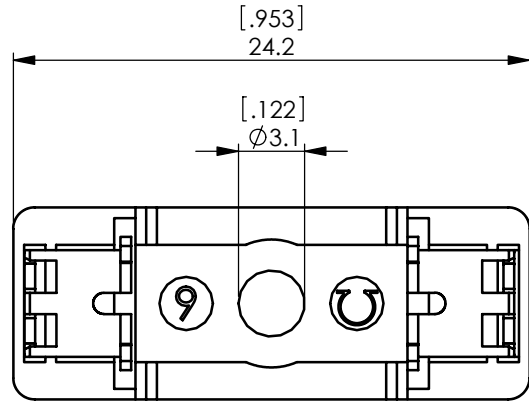
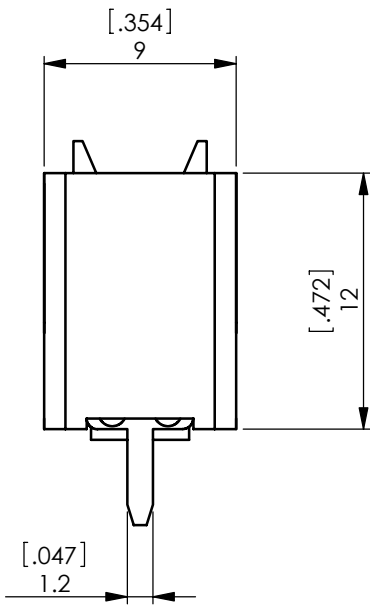
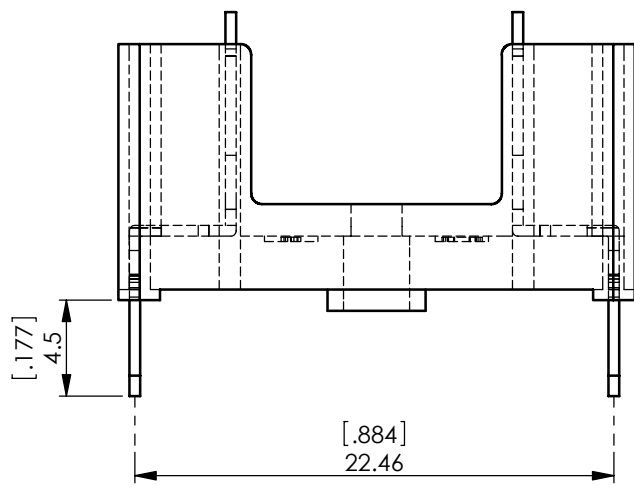


REV.	MODIFICATION.	DATE	DRN
01	NEW DRAWING	17/11/04	NJB
02	ECN 04-227	10/12/04	NJB
03	ECN 06-051	20/03/06	OW
04	ECN07-032	08/02/07	SF



TYPICAL APPLICATION VIEW



INFORMATION CONTAINED IN THIS DOCUMENT IS CONFIDENTIAL TO RICHCO INTERNATIONAL Co. Ltd. AND MAY NOT BE DISCLOSED OR REPRODUCED IN WHOLE OR PART WITHOUT THEIR WRITTEN CONSENT

Richco

METRIC GENERAL TOLERANCES ±0.25
ARE PRIMARY UNLESS OTHERWISE STATED
1 DECIMAL PLACE ±
2 DECIMAL PLACES ±
ANGULAR ±1°

IMPERIAL GENERAL TOLERANCES ±0.010
ARE FOR REFERENCE UNLESS OTHERWISE STATED
1 DECIMAL PLACE ±
2 DECIMAL PLACES ±
ANGULAR ±1°

MATERIAL: SEE TABLE		COLOUR: SEE TABLE	
TITLE: FUSE HOLDER, BOARD MOUNTED		PART No: FH-320-NV	
DRG No: 04-165		NPR REF:	
DRN NJB	DATE 17/11/04	CHKD OW	DATE 17/11/04
SCALE NTS		SHEET No 1 OF 1	

NOTES:
1) ALL PRIMARY DIMENSIONS IN mm,
SECONDARY DIMENSIONS IN [INCHES].

PART	MATERIAL	COLOUR
FH-320-NV	NYLON 6/6 25% GF (RMS-49)	BLACK
CONTACT PINS	BRASS (CuZn 33) (RMS-289) + FLASH NICKEL & 4/5 MICRONS TIN 60/40 (RMS-217)	

X-ON Electronics

Largest Supplier of Electrical and Electronic Components

Click to view similar products for [Fuse Holder Accessories](#) category:

Click to view products by [ESSENTRA](#) manufacturer:

Other Similar products are found below :

[BK/1A1337](#) [1A1853](#) [1A4421](#) [1A5220](#) [903-048](#) [1A1337](#) [1A4544](#) [1A5220-01](#) [CO2-10](#) [CO3-03](#) [348897](#) [B072-7007](#) [BK/1A4421](#) [X30110](#)
[09030012H](#) [09050023H](#) [00970021HXNVDL](#) [00BS0232P](#) [CO2-04](#) [BK1A1853](#) [BK9834](#) [00970053XP](#) [3566C](#) [00970053H](#) [04450718ZX900](#)
[CH10CL](#) [BP/FP-3](#) [58600000005](#) [33-012C](#) [880140](#) [00970023S](#) [880150](#) [PDM71009ZXM](#) [B109-7091-6](#) [B109-7091-5](#) [CFBAR2-M8XSP](#)
[901-524](#) [CVR-RH-25100](#) [LFH60030FBC](#) [03540514Z](#) [03540526Z](#) [03540531Z](#) [03540541Z](#) [03540525Z](#) [03540537Z](#) [03540539Z](#) [03540540Z](#)
[FEH](#) [CC2/J](#) [03540519Z](#)