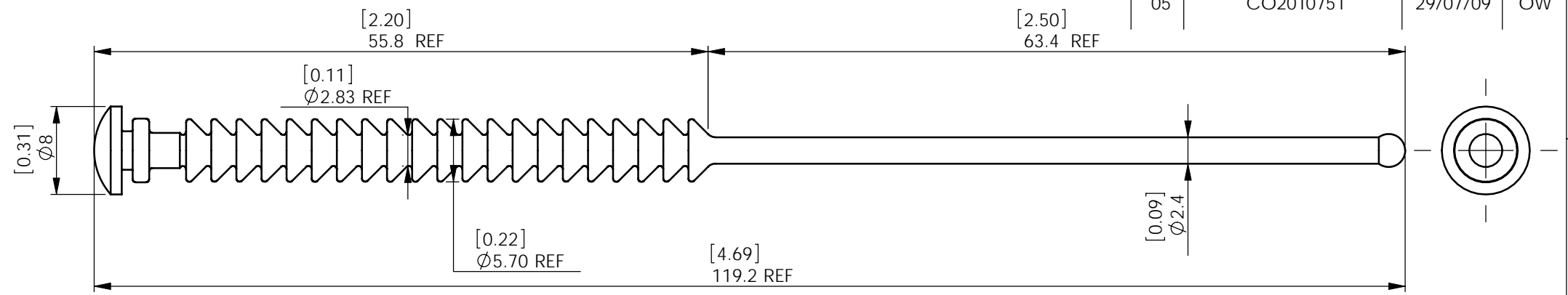


REV.	MODIFICATION.	DATE	DRN
01	PRODUCTION RELEASE	08/08/06	TC
02	ECN 2006-258	06/12/06	TC
03	CO2010317	11/08/08	SF
04	CO2010432	09/10/08	SF
05	CO2010751	29/07/09	OW



NOTES!

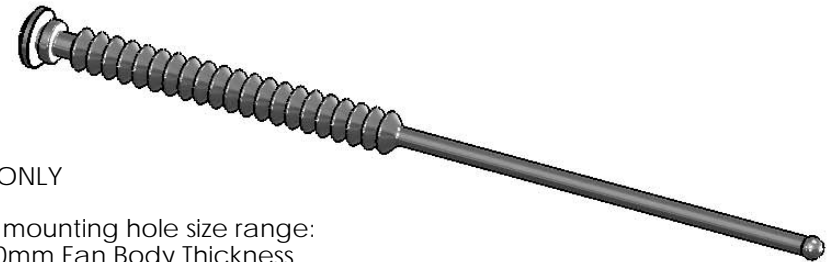
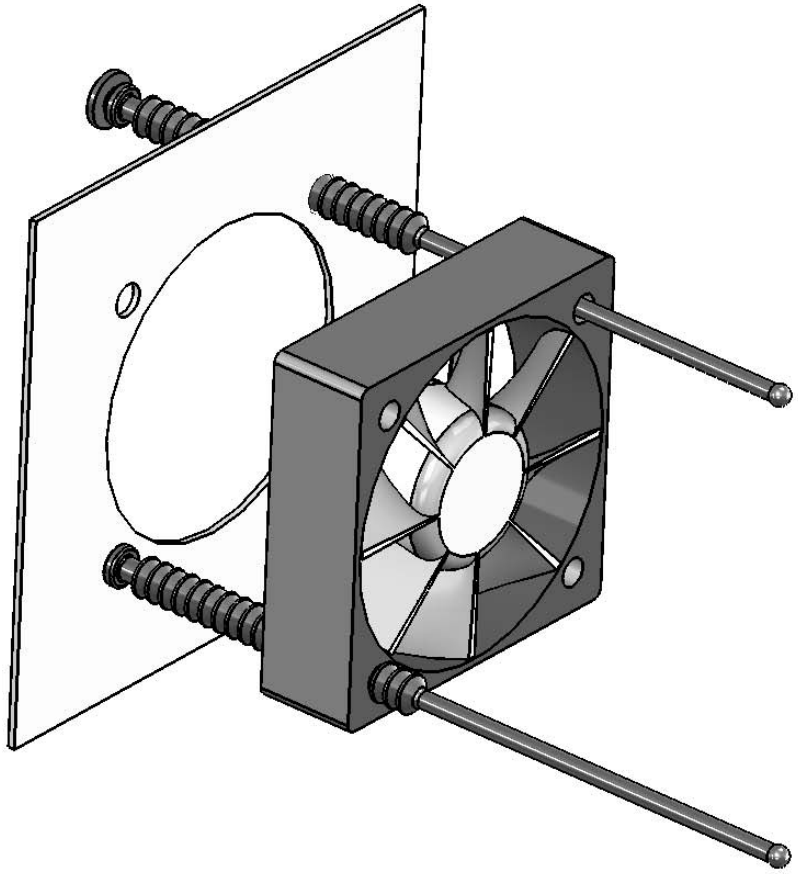
ALTERNATE UNITS FOR REFERENCE ONLY

Fits Industry Standard DC Fans with mounting hole size range:

- 3.2mm to 3.5mm dia up to 10mm Fan Body Thickness
- 4.0mm to 4.5mm dia from 10mm to 51mm Fan Body Thickness

Chassis Mounting Hole Range:

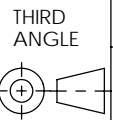
- Diameter 4.5mm to 4.8mm
- Thickness 1mm to 1.5mm



INFORMATION CONTAINED IN THIS DOCUMENT IS CONFIDENTIAL TO RICHCO INTERNATIONAL Co. Ltd. AND MAY NOT BE DISCLOSED OR REPRODUCED IN WHOLE OR PART WITHOUT THEIR WRITTEN CONSENT.

RICHCO, INC.
WWW.RICHCO-INC.COM

ALL DIMENSIONS IN mm & [inches]
GENERAL TOLERANCES ±0.25 [0.01]
UNLESS OTHERWISE STATED
1 DECIMAL PLACE ±0.25 [0.01]
2 DECIMAL PLACES ± 0.10 [0.004]
ANGULAR ±1°



MATERIAL:
Silicone Rubber 40 Shore 'A' (RMS-316)

COLOR:
Black

DESCRIPTION:
Multi-Fan Mount

PART No:
FMM-1

DRG No:
06-076

NPR No:
2005-474

WEIGHT (g):
2.8

SHEET SIZE:
A4

DRN
TC

DATE
27/1/06

CHKD
TC

DATE
04/07/06

SCALE
NTS

SHEET No.
1 OF 1

X-ON Electronics

Largest Supplier of Electrical and Electronic Components

Click to view similar products for [Fan Accessories](#) category:

Click to view products by [ESSENTRA](#) manufacturer:

Other Similar products are found below :

[LZ31](#) [LZ32P-1](#) [63070-2-4013](#) [64442-1-7612](#) [71882-2-4053](#) [73816-2-3634](#) [95778-1-5171](#) [99485901](#) [1247-4-6254](#) [RF119](#) [2151-4-7320](#)
[27453.32262](#) [95779-1-5171](#) [9614-2-4013](#) [99485906](#) [F92-B](#) [2170-4-7320](#) [27453.32241](#) [R88ACPU001M1](#) [R88ACPU001M2](#) [31570-2-4013](#)
[LZ215](#) [LZ22-2](#) [LZ24-1](#) [LZ24B](#) [LZ30-9](#) [LZ37-2](#) [450-20-0025](#) [525-00-0009](#) [420-05-0276](#) [450-20-0017](#) [450-20-0020](#) [04.846.1353.0](#)
[04.846.1453.0](#) [055032](#) [08121](#) [08188](#) [08195](#) [08196](#) [09576-2-4013](#) [54476-2-4013](#) [71883-2-4053](#) [52545-2-4037](#) [63071-2-4013](#) [52544-2-4037](#)
[64445-1-7612](#) [66786-4-7320](#) [88601-2-2929](#) [08164](#) [4013-2-4039](#)