

FIG. 1

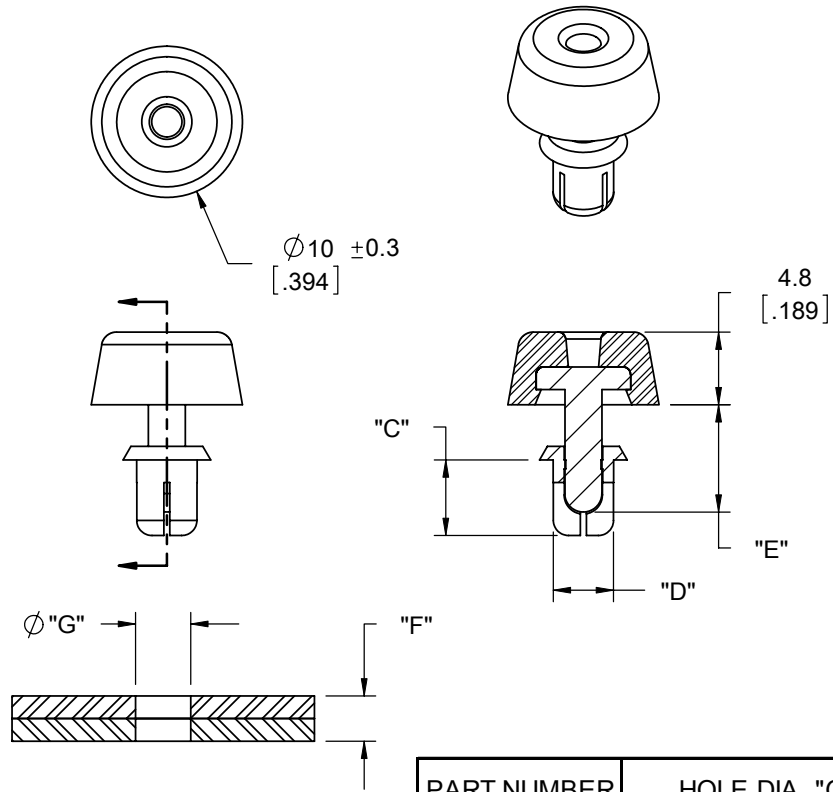
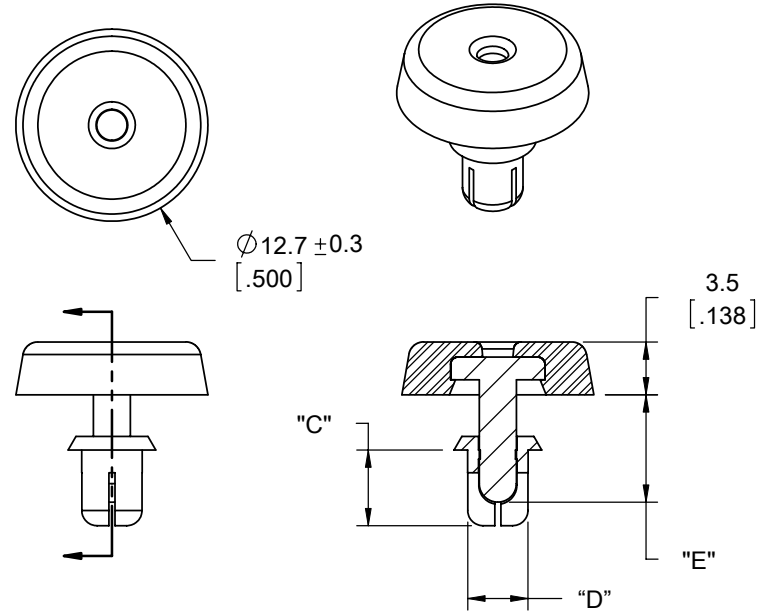


FIG. 2



NOTES:

1. RIVET MATERIAL: NYLON 6 UL 94 V-2 (RMS-52).
- FOOT MATERIAL: THERMOPLASTIC ELASTOMER (RMS-351).
2. COLOR: BLACK
3. "G" AND "F" REFER TO PANEL HOLE SIZE AND THICKNESS.
4. ALTERNATE UNITS FOR REFERENCE ONLY.

PART NUMBER	HOLE DIA. "G"	THICKNESS "F"	"C" ± 0.3	"D"	"E" ± 0.3	FIG. NO.
FSR-1	3.6 - 3.7 [.142 - .146]	1.2 - 2.1 [.047 - .083]	3.5 [.138]	3.5 [.138]	5.1 [.201]	1
FSR-2	3.6 - 3.7 [.142 - .146]	2.1 - 3 [.083 - .118]	4.5 [.177]	3.5 [.138]	6.1 [.240]	1
FSR-3	4.1 - 4.2 [.161 - .165]	2.5 - 3.5 [.098 - .138]	5 [.197]	4 [.157]	7.1 [.280]	1
FSR-4	3.6 - 3.7 [.142 - .146]	1.2 - 2.1 [.047 - .083]	3.5 [.138]	3.5 [.138]	5.1 [.201]	2
FSR-5	3.6 - 3.7 [.142 - .146]	2.1 - 3 [.083 - .118]	4.5 [.177]	3.5 [.138]	6.1 [.240]	2
FSR-6	4.1 - 4.2 [.161 - .165]	2.5 - 3.5 [.098 - .138]	5 [.197]	4 [.157]	7.1 [.280]	2

TITLE: FOOT SNAP RIVET				DWG IN MM [IN]		FINAL	
CREATED USING SOLIDWORKS	FILE #: FSR	DWN: R.D.G.	APP: R.D.G.	SHEET: 1 OF 1		SHEET SIZE: A	
TOLERANCES UNLESS NOTED	RE: RICHCO, INC.	DT: 01/10/07	CHKD: D.J.Z.	RE: RICHCO, INC.		PART # SEE TABLE	
0-10=±0.1	RICHCO, INC.		RICHCO, INC.		ENG@RICHCO-INC.COM		PRINT TYPE CA
10.01-30=±0.3	--		ENG@RICHCO-INC.COM		(773) 539-4060		
30.01-50=±0.5							
ANG.=±1°							

A	RELEASED FOR PRODUCTION	SK	06/27/07
REV.	DESCRIPTION	ENGR.	DATE

## X-ON Electronics

Largest Supplier of Electrical and Electronic Components

*Click to view similar products for [Mounting Fixings](#) category:*

*Click to view products by [ESSENTRA](#) manufacturer:*

Other Similar products are found below :

[5912235-2](#) [007541](#) [627](#) [M3783-7001](#) [71-074914-006](#) [75-69211-3P](#) [75-69214-6P](#) [75-69220-27S](#) [75-69224-5S](#) [7717-8DAP](#) [85043GULPR](#)  
[85047GULPT](#) [85048GBESR](#) [FPK-02-R10](#) [PMS27488-001-01](#) [1-18023-0](#) [H-118-2](#) [DB1](#) [1302030464](#) [DC37-22-21PX](#) [1302010957](#)  
[1302263564](#) [1302340393](#) [1404-0016-78](#) [14540](#) [1561-60](#) [1566](#) [1566](#) [BR16A](#) [HS4737-2001 REV G](#) [HS5659MB98PN](#) [NT20SATT01](#)  
[201C5058-01-201 REV E](#) [22594-8](#) [KBB-141](#) [89078GBEPR](#) [89078GBESR](#) [915060](#) [SF4011-60101](#) [97-CS-50](#) [1671](#) [1855-54](#) [T-2085-SP](#)  
[20800240002](#) [21899-4](#) [2193](#) [2518](#) [25745-1](#) [H-118-1](#) [354467](#)