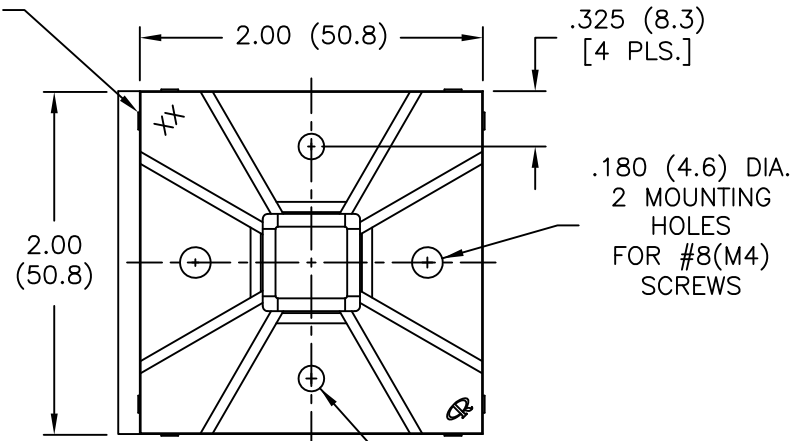
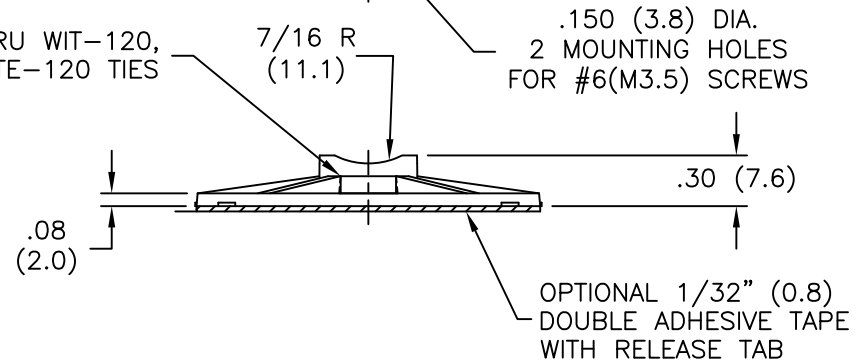


PART NO.	MATERIAL	COLOR	ADHESIVE
FTH-10-01	NYLON 6/6 (RMS-01)	NATURAL	NONE
FTH-10A-RT			ACRYLIC TAPE (RMS-15), WHITE LINER

THESE BUMPS MAY NOT APPEAR ON PART (8PLS)



ACCOMMODATES WIT-18 THRU WIT-120, AND QTE-18 THRU QTE-120 TIES



NOTES:

1. NYLON 6/6 (RMS-01),
 COLOR: NATURAL,
 RUBBER ADHESIVE TAPE (RMS-102), BLUE LINER,
 AVAILABLE BY SPECIAL ORDER ONLY;
 TO ORDER USE P/N FTH-10A1-RT.

FLAME RETARDANT NYLON (RMS-19),
 COLOR: NATURAL,
 ACRYLIC ADHESIVE TAPE (RMS-15), WHITE LINER,
 AVAILABLE BY SPECIAL ORDER ONLY;
 TO ORDER USE P/N FTH-10A-RT-19
 OR FTH-10-19 (WITHOUT TAPE).

UV STABILIZED NYLON (RMS-46),
 COLOR: BLACK,
 ACRYLIC ADHESIVE TAPE (RMS-15), WHITE LINER,
 AVAILABLE BY SPECIAL ORDER ONLY;
 TO ORDER USE P/N FTH-10A-RT-UVB
 OR FTH-10-UVB (WITHOUT TAPE),
 RUBBER ADHESIVE TAPE (RMS-102), BLUE LINER,
 AVAILABLE BY SPECIAL ORDER ONLY.
 TO ORDER USE P/N FTH-10A1-RT-UVB.

TITLE: FLAT TIE HOLDER		DWG IN IN (MM)		FINAL			
FILE #	FTH-10	DWN:	JL	APP:		PART #	
MAT'L:	SEE NOTES	DT:	01.10.00	DT:		SEE TABLE	
RE:	RICHCO, INC.	RICHCO INC.		PO BOX 804238, CHICAGO, 60680		PRINT TYPE	
		(773) 539-4060				CA	

REV	DESCRIPTION	ENGR	DATE
E	SEE CO 200248 FOR CHANGES	SK	10.30.08
D	SEE ECN #1124 FOR CHANGES	SK	01.24.06
C	COMPLETELY RE-DRAWN & CHANGED FILE#	SM	10.18.01
B	ADDED (RMS-102) BY SPECIAL ORDER ONLY	JL	08.22.00
A	MAT'L NOTES UPDATED	JL	01.10.00

TOLERANCES UNLESS NOTED
.XX=±.010
.XXX=±.005
FRAC=±1/64
ANG=±1'

X-ON Electronics

Largest Supplier of Electrical and Electronic Components

Click to view similar products for [Cable Tie Mounts](#) category:

Click to view products by [ESSENTRA](#) manufacturer:

Other Similar products are found below :

[3-350087-0](#) [CTB75X75BKA-C](#) [561-EZAB580T](#) [561-EZS375B40](#) [561-TA250125](#) [08443-0](#) [10035-0](#) [561-TA00600](#) [1689174-1](#) [08445-0](#)
[10351-0](#) [561-TA250125B](#) [20015-0](#) [10350-0](#) [10029-0](#) [08484-0](#) [08446-0](#) [08318-0](#) [PAM075NY-A-C](#) [MTH1-3](#) [10044](#) [151-01802](#) [151-11319](#)
[151-11819](#) [PLWP1SB-D](#) [PLWP1M-C](#) [PLWP2SA-D](#) [PLWP2SB-D](#) [PLWP2S-C](#) [PLWP1S-D](#) [PLWP1M-D](#) [TA1S8-C](#) [ABM3H-A-L](#) [ABM3H-](#)
[AT-T0](#) [EMS-A-C0](#) [EMSK3-1-3-0](#) [10079](#) [10030](#) [151-10930](#) [151-10920](#) [3590](#) [151-28320](#) [151-28349](#) [151-10914](#) [151-10904](#) [151-10916](#) [151-](#)
[10906](#) [06297](#) [CTB75X75NTA-C](#) [792](#)