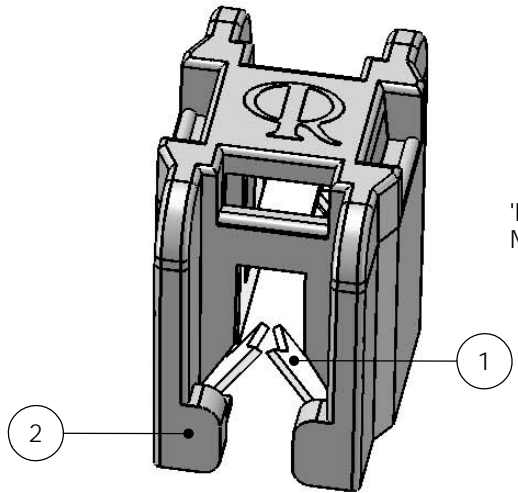
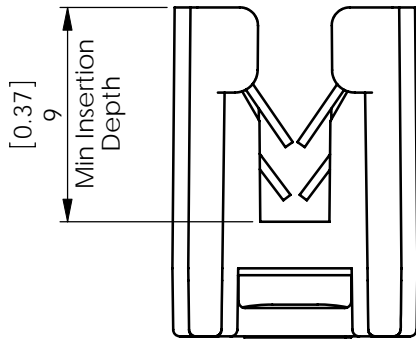
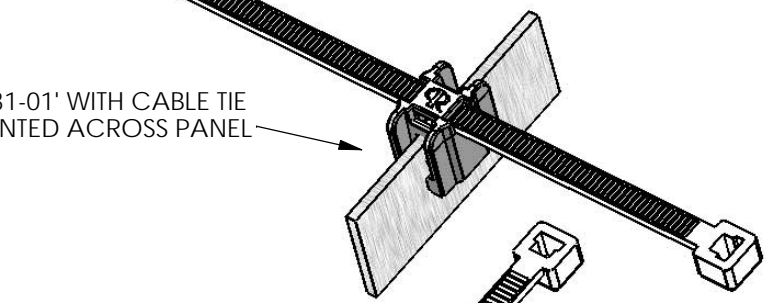


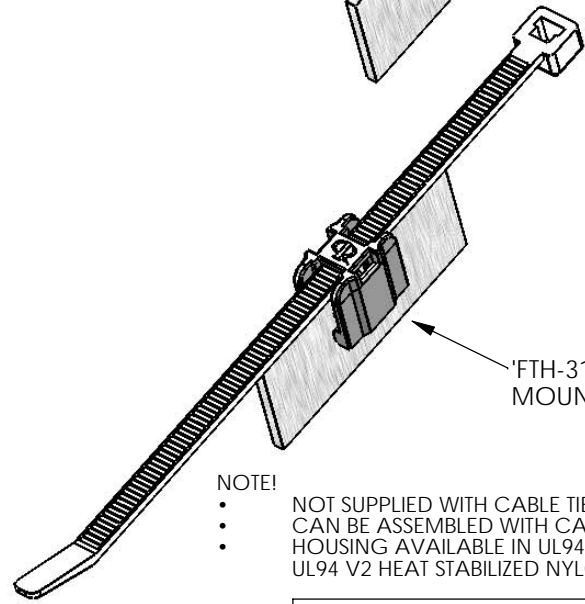
REV.	MODIFICATION.	DATE	DRN
01	Production Release	03/01/08	TC
02	CO2010469	11/11/08	SF



'FTH-31-01' WITH CABLE TIE MOUNTED ACROSS PANEL

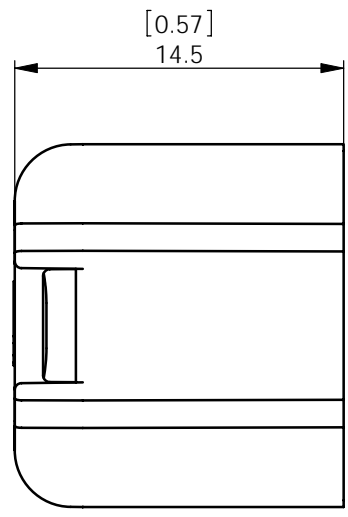
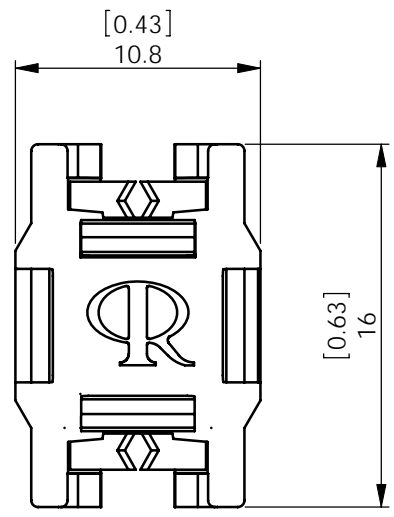


'FTH-31-01' WITH CABLE TIE MOUNTED ALONG PANEL



NOTE!

- NOT SUPPLIED WITH CABLE TIES - TO BE ORDERED SEPARATELY
- CAN BE ASSEMBLED WITH CABLE TIE BY SPECIAL ORDER ONLY
- HOUSING AVAILABLE IN UL94 V0 NYLON 6/6 (RMS-19) AND UL94 V2 HEAT STABILIZED NYLON 6/6 (RMS-47) BY SPECIAL ORDER



INFORMATION CONTAINED IN THIS DOCUMENT IS CONFIDENTIAL TO RICHCO INTERNATIONAL Co. Ltd. AND MAY NOT BE DISCLOSED OR REPRODUCED IN WHOLE OR PART WITHOUT THEIR WRITTEN CONSENT.

ALL DIMENSIONS IN mm [Inch]
 GENERAL TOLERANCES $\pm 0.25[0.0098]$
 UNLESS OTHERWISE STATED
 1 DECIMAL PLACE $\pm 0.25[0.0098]$
 2 DECIMAL PLACES $\pm 0.10[0.0039]$
 ANGULAR $\pm 1^\circ$

THIRD ANGLE

ITEM	DESCRIPTION	MATERIAL	COLOUR	PANEL THICKNESS	RETENTION FORCE	CABLE TIES ACCEPTED
2	HOUSING	NYLON 6/6 UL94 V2 (RMS-01)	BLACK	0.8 - 3 [0.03 - 0.12]	TO STEEL PANEL: Minimum 25N 0.8 [0.03] Panel Minimum 45N 3 [0.12] Panel	WITE/WIT-30 / 40 / 50 QTE-18 / 30 / 50
1	METAL CLIP	STAINLESS STEEL (RMS-365) GRADE 304 (1.4301)	TYPE '2B' BRIGHT FINISH		TO PLASTIC PANEL: Minimum 150N 2.4 - 3 [0.09 - 0.12]	

MATERIAL: SEE TABLE		COLOR: SEE TABLE	
DESCRIPTION: EDGE CLIP TIE HOLDER			PART No: FTH-31-01
DRG No: 07-073	NPR No: 2005-205-3		Mass:(g) 1.4
DRN TC	DATE 10/01/06	CHKD JC	DATE 31/07/07
SCALE NTS		SHEET No. 1 OF 1	

X-ON Electronics

Largest Supplier of Electrical and Electronic Components

Click to view similar products for [Cable Tie Mounts](#) category:

Click to view products by [ESSENTRA](#) manufacturer:

Other Similar products are found below :

[3-350087-0](#) [CTB75X75BKA-C](#) [561-EZAB580T](#) [561-EZS375B40](#) [561-TA250125](#) [08443-0](#) [10035-0](#) [561-TA00600](#) [1689174-1](#) [08445-0](#)
[10351-0](#) [561-TA250125B](#) [20015-0](#) [10350-0](#) [10029-0](#) [08484-0](#) [08446-0](#) [08318-0](#) [PAM075NY-A-C](#) [MTH1-3](#) [10044](#) [151-01802](#) [151-11319](#)
[151-11819](#) [PLWP1SB-D](#) [PLWP1M-C](#) [PLWP2SA-D](#) [PLWP2SB-D](#) [PLWP2S-C](#) [PLWP1S-D](#) [PLWP1M-D](#) [TA1S8-C](#) [ABM3H-A-L](#) [ABM3H-](#)
[AT-T0](#) [EMS-A-C0](#) [EMSK3-1-3-0](#) [10079](#) [10030](#) [151-10930](#) [151-10920](#) [3590](#) [151-28320](#) [151-28349](#) [151-10914](#) [151-10904](#) [151-10916](#) [151-](#)
[10906](#) [06297](#) [CTB75X75NTA-C](#) [792](#)