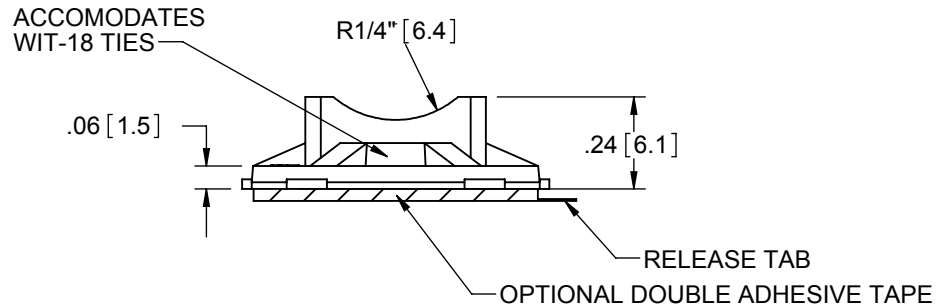
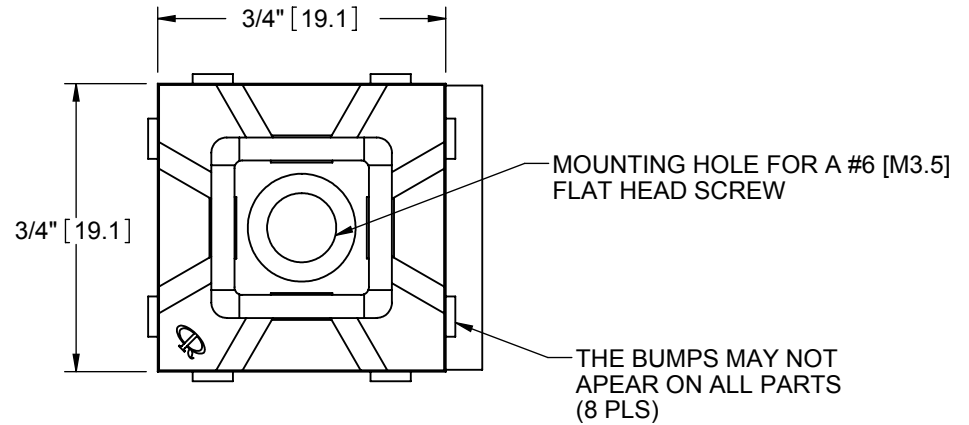
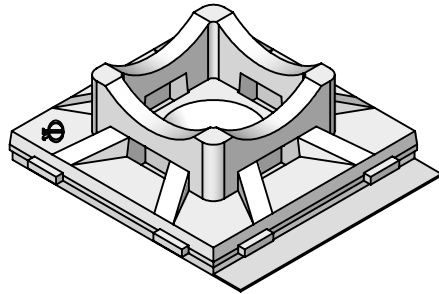


PART NO.	MATERIAL	COLOR	ADHESIVE
FTH-5-01	UL94 V-2 NYLON 6/6 (RMS-01)	NATURAL	NONE
FTH-5A-RT			1/32" THICK ACRYLIC TAPE (RMS-15), WHITE LINER W/ RELEASE TAB
FTH-5A1-RT			1/32" THICK RUBBER TAPE (RMS-102), BLUE LINER W/ RELEASE TAB
FTH-5-DHB			.04" THICK HIGH BOND ACRYLIC TAPE (RMS-500), RED LINER, NO RELEASE TAB
FTH-5-UVB			NONE
FTH-5A-RT-UVB	UVB STABILIZED NYLON (RMS-46)	BLACK	1/32" THICK ACRYLIC TAPE (RMS-15), WHITE LINER WITH RELEASE TAB
*FTH-5A1-RT-UVB			1/32" THICK RUBBER TAPE (RMS-102), BLUE LINER WITH RELEASE TAB

*AVAILABLE BY SPECIAL ORDER ONLY



NOTES:
 1. UL94 V-0 NYLON 6/6 (RMS-19) MATERIAL AVAILABLE BY SPECIAL ORDER ONLY
 COLOR NATURAL.
 2. PACKAGING QUANTITIES ARE REFLECTED AS THE SUFFIX "-LETTER"
 EXAMPLE: FTH-5-01-M FOR 1000 PCS PER BAG.
 -C = 100 PCS
 -M = 1000 PCS

K	ADDED FTH-5-DHB, ECN # 1429	DZ	04/05/2017	TITLE: FLAT TIE HOLDER				UNITS: INCH [mm]	
J	ADDED NOTE 2. SEE CO 200661 FOR CHANGES	SK	05/12/2011	FILE #: FTH-5		DWN: SK	APP: -	FINAL	
I	SEE CO 200570 FOR CHANGES	SK	08/04/2010	SHEET: 1 OF 1		DT: 03/10/2005	CHKD: -	PART # SEE TABLE	PRINT TYPE CA
H	SEE CO 200248 FOR CHANGES	SK	10/30/2008	RE: -		ESSENTRA COMPONENTS			
G	SEE ECN #1124 FOR CHANGES	SK	01/24/2006	TOLERANCES UNLESS NOTED .XX=±.010 .XXX=±.005 FRAC.=±1/64 ANG.=±1°					
F	SEE ECN #962 FOR CHANGES	SK	03/10/2005						
-	SEE ENGINEERING FOR REV. A-E	-	----						
REV.	DESCRIPTION	ENGR.	DATE						

X-ON Electronics

Largest Supplier of Electrical and Electronic Components

Click to view similar products for [Cable Tie Mounts](#) category:

Click to view products by [ESSENTRA](#) manufacturer:

Other Similar products are found below :

[3-350087-0](#) [CTB75X75BKA-C](#) [561-EZAB580T](#) [561-EZS375B40](#) [561-TA250125](#) [08443-0](#) [10035-0](#) [561-TA00600](#) [1689174-1](#) [08445-0](#)
[10351-0](#) [561-TA250125B](#) [20015-0](#) [10350-0](#) [10029-0](#) [08484-0](#) [08446-0](#) [08318-0](#) [PAM075NY-A-C](#) [MTH1-3](#) [10044](#) [151-01802](#) [151-11319](#)
[151-11819](#) [PLWP1SB-D](#) [PLWP1M-C](#) [PLWP2SA-D](#) [PLWP2SB-D](#) [PLWP2S-C](#) [PLWP1S-D](#) [PLWP1M-D](#) [TA1S8-C](#) [ABM3H-A-L](#) [ABM3H-](#)
[AT-T0](#) [EMS-A-C0](#) [EMSK3-1-3-0](#) [10079](#) [10030](#) [151-10930](#) [151-10920](#) [3590](#) [151-28320](#) [151-28349](#) [151-10914](#) [151-10904](#) [151-10916](#) [151-](#)
[10906](#) [06297](#) [CTB75X75NTA-C](#) [792](#)