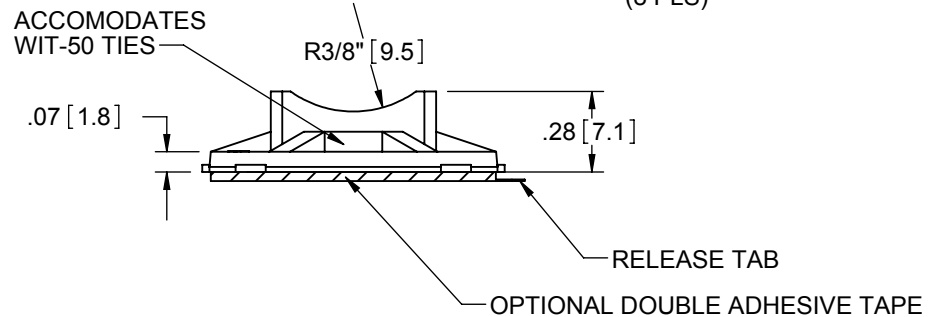
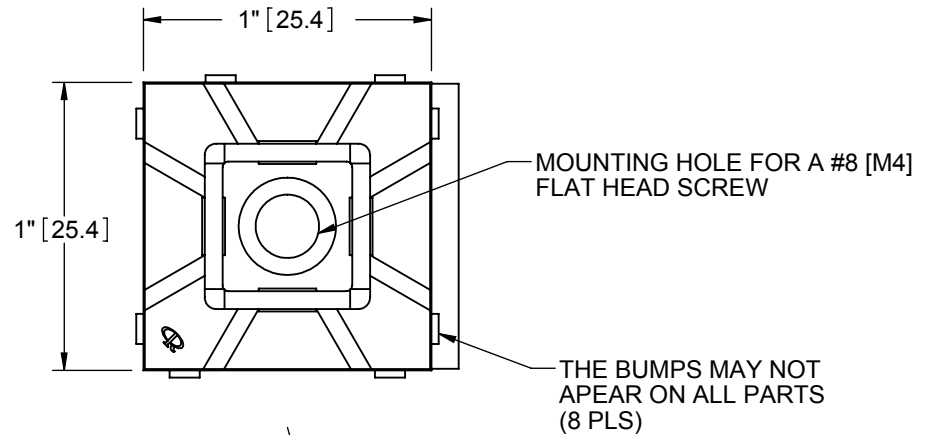
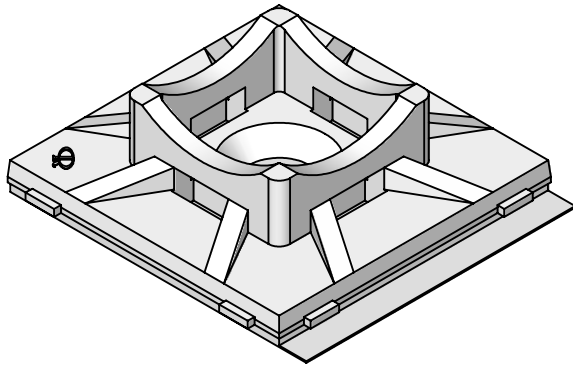


PART NO.	MATERIAL	COLOR	ADHESIVE
FTH-7-01	NYLON 6/6 (RMS-01)	NATURAL	NONE
FTH-7A-RT			1/32" THICK ACRYLIC TAPE (RMS-15), WHITE LINER W/ RELEASE TAB
FTH-7A1-RT			1/32" THICK RUBBER TAPE (RMS-102), BLUE LINER W/ RELEASE TAB
FTH-7-DHB			.04" THICK HIGH BOND ACRYLIC TAPE (RMS-500), RED LINER, NO RELEASE TAB
FTH-7-UVB			NONE
FTH-7A-RT-UVB	UVB STABILIZED NYLON (RMS-46)	BLACK	1/32" THICK ACRYLIC TAPE (RMS-15), WHITE LINER W/ RELEASE TAB
*FTH-7A1-RT-UVB			1/32" THICK RUBBER TAPE (RMS-102), BLUE LINER W/ RELEASE TAB

\*AVAILABLE BY SPECIAL ORDER ONLY.



NOTES:

- MATERIAL: UL94 V-0 NYLON 6/6 (RMS-19) AVAILABLE BY SPECIAL ORDER ONLY  
 COLOR NATURAL.  
 TO ORDER USE P/N: FTH-7-19 (WITHOUT TAPE).  
 FTH-7A-RT-19 (WITH TAPE)
- PACKAGING QUANTITIES ARE REFLECTED AS THE SUFFIX "-LETTER"  
 EXAMPLE: FTH-7-01-M FOR 1000 PCS PER BAG.  
 -C = 100 PCS  
 -M = 1000 PCS

TITLE: FLAT TIE HOLDER			UNITS: INCH [mm]					
I	ADDED FTH-7-DHB, ECN # 1429	DZ 04/05/2017	FILE #: FTH-7	DWN: SK	APP: R.T.	FINAL	PART #	PRINT TYPE
H	ADDED NOTE 2. SEE CO 200661	SK 05/12/2011	SHEET: 1 OF 1	SHEET SIZE: A	DT: 10/30/2008			
G	SEE CO 200570 FOR CHANGES	SK 08/04/2010	RE:	-		SEE TABLE	CA	
F	SEE CO 200248 FOR CHANGES	SK 10/30/2008	-		ESSENTRA COMPONENTS			
-	SEE ENGINEERING FOR REV. A-E	-	-		-		-	
REV.	DESCRIPTION	ENGR. DATE	-		-		-	

## X-ON Electronics

Largest Supplier of Electrical and Electronic Components

*Click to view similar products for [Cable Tie Mounts](#) category:*

*Click to view products by [ESSENTRA](#) manufacturer:*

Other Similar products are found below :

[3-350087-0](#) [CTB75X75BKA-C](#) [561-EZAB580T](#) [561-EZS375B40](#) [561-TA250125](#) [08443-0](#) [10035-0](#) [561-TA00600](#) [1689174-1](#) [08445-0](#)  
[10351-0](#) [561-TA250125B](#) [20015-0](#) [10350-0](#) [10029-0](#) [08484-0](#) [08446-0](#) [08318-0](#) [PAM075NY-A-C](#) [MTH1-3](#) [10044](#) [151-11319](#) [151-11819](#)  
[PLWP1SB-D](#) [PLWP1M-C](#) [PLWP2SA-D](#) [PLWP2SB-D](#) [PLWP2S-C](#) [PLWP1S-D](#) [PLWP1M-D](#) [TA1S8-C](#) [ABM3H-A-L](#) [ABM3H-AT-T0](#)  
[EMS-A-C0](#) [EMSK3-1-3-0](#) [10079](#) [10030](#) [151-10930](#) [151-10920](#) [3590](#) [151-28320](#) [151-28349](#) [151-28530](#) [151-10914](#) [151-10904](#) [151-10916](#)  
[151-10906](#) [06297](#) [CTB75X75NTA-C](#) [792](#)