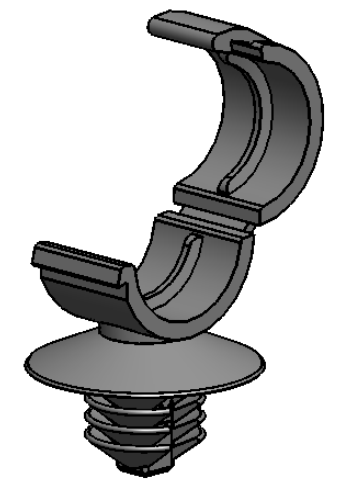
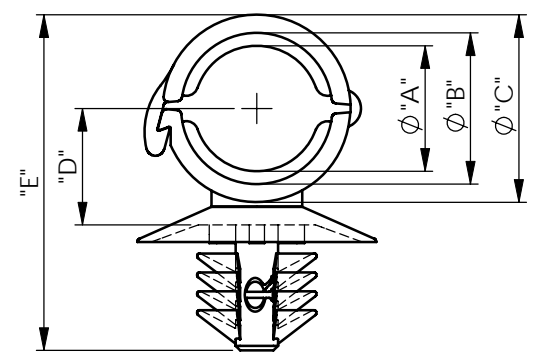
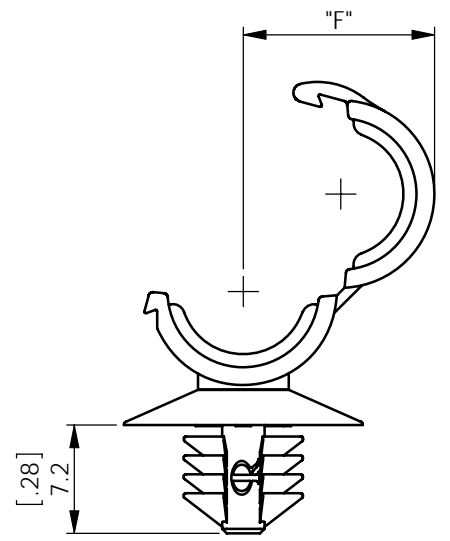
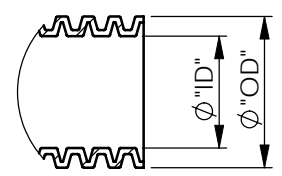
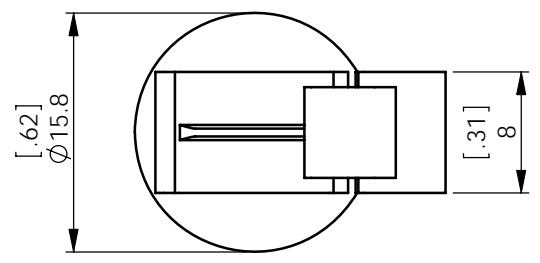


REV.	MODIFICATION.	DATE	DRN
01	Production Release	18/09/08	MT
02	CO2010437	10/10/08	MT
03	CO2010507	10/12/08	MT

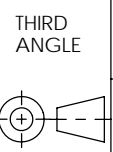


ALTERNATE UNITS FOR REFERENCE ONLY

INFORMATION CONTAINED IN THIS DOCUMENT IS CONFIDENTIAL TO RICHCO INTERNATIONAL Co. Ltd. AND MAY NOT BE DISCLOSED OR REPRODUCED IN WHOLE OR PART WITHOUT THEIR WRITTEN CONSENT.



ALL DIMENSIONS IN mm  
 GENERAL TOLERANCES ±0.25  
 UNLESS OTHERWISE STATED  
 1 DECIMAL PLACE ±  
 2 DECIMAL PLACES ±  
 ANGULAR ±1°



MATERIAL: NYLON 6/6 HEAT STABILIZED UL 94 V-2 (RMS-47)		COLOUR: BLACK	
DESCRIPTION: HINGED LOCKING CABLE CLAMP		PART No: SEE TABLE	
DRG No: 08-047		NPR No: DE08-0059	
SHEET SIZE A4			
DRN MT	DATE 27/11/08	CHKD TC	DATE 12/12/08
SCALE NTS	SHEET No. 1 OF 1		

MATL: NYLON 6/6 RMS-47, COLOUR: BLACK	RECOMMENDED CORRUGATED TUBE SIZE		PANEL HOLE DIA	PANEL THICKNESS	"A"	"B"	"C"	"D"	"E"	"F"
	ID Ø	OD Ø								
HLCC-1BK	5 [.20]	7.1 [.28]	6.5 - 7.0 [.26 - .28]	0.8 - 3 [.03 - .12]	5.8 [.23]	7.2 [.28]	9.6 [.38]	6.3 [.25]	19.7 [.78]	9.8 [.39]
HLCC-2BK	6.9 [.27]	9.9 [.39]			8.3 [.33]	10 [.39]	12.4 [.49]	7.7 [.30]	22.2 [.87]	12.6 [.50]

## X-ON Electronics

Largest Supplier of Electrical and Electronic Components

*Click to view similar products for [Cable Mounting & Accessories](#) category:*

*Click to view products by [ESSENTRA](#) manufacturer:*

Other Similar products are found below :

[582603-1](#) [009333-000](#) [727844N003](#) [747](#) [809090N001](#) [843188-000](#) [8666](#) [967279N002](#) [DB-11](#) [1300840039](#) [1300900096](#) [1301800416](#)  
[1302264450](#) [1300830184](#) [1300830729](#) [1300900039](#) [1301580036](#) [1301850553](#) [1301860939](#) [1302000074](#) [1302261315](#) [1302264431](#)  
[1337706-2](#) [APA18-AK](#) [1724](#) [1-787307-1](#) [185491N001](#) [1868](#) [HP-6N](#) [C-202-C](#) [202C221-13-0](#) [CA7308-000](#) [8S23-75FR-CS8184](#) [2684](#) [9648](#)  
[3089](#) [988382-000](#) [A72821-000](#) [AA401](#) [173506-000](#) [1823](#) [202C292-13-0](#) [202C302-13-0](#) [2109](#) [300625](#) [3330](#) [3412](#) [356247-1](#) [M9142](#)  
[M9143](#)