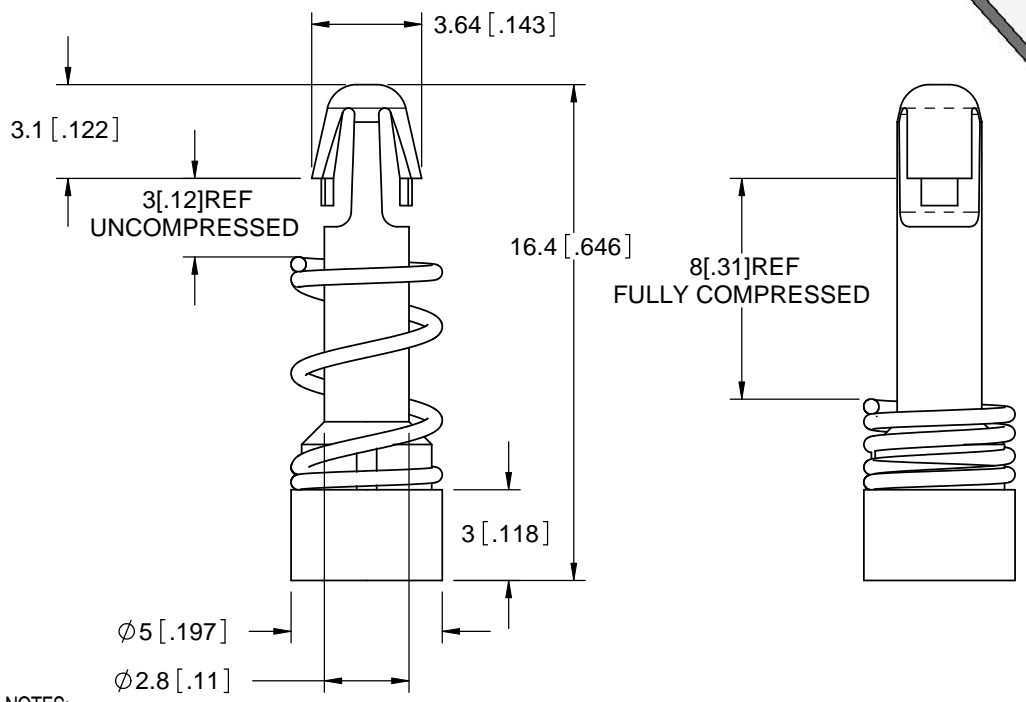


TYPICAL APPLICATION



- NOTES:
1. MATERIAL: NYLON 6/6 UL 94 V-2 RMS-047, COLOR: NATURAL
 2. SPRING MATERIAL: STEEL, RMS-326, CHROME PLATED (RMS-355).
 3. DESIGNED TO SNAP LOCK INTO A $\varnothing 3.00 \pm 0.08$ [$\varnothing 0.118 \pm 0.003$] HOLE
 4. INSERTS THROUGH A 3.18-4.00 [$\varnothing 0.125$ - 0.157] HOLE IN HEATSINK
 5. SPRING RATE: 12 LB/IN +/- 2
 6. PART IS DESIGNED IN MILLIMETERS.
INCH CONVERSIONS ARE PROVIDED FOR REF ONLY

F	SEE CO 200526 FOR CHANGES	SK	04.26.10
E	SEE CO 200099 FOR CHANGES	SK	01/07/08
D	SEE ECN #1205 FOR CHANGES	SJ	08/03/06
C	SEE ECN #937 FOR CHANGES	SK	02/08/05
B	SEE ECN #922 FOR CHANGES	SK	01/25/05
A	RELEASED FOR PRODUCTION	SM	10/19/04
REV.	DESCRIPTION	ENGR.	DATE

TITLE: HEAT SINK SPRING MOUNT RIVET				DWG IN mm[IN]		FINAL			
CREATED USING SOLIDWORKS		FILE #: HSR-1	DWN: D.J.Z.	APP: D.J.Z.		PART #		PRINT TYPE	
TOLERANCES UNLESS NOTED =±.25 ANG.=±1°		SHEET: 1 OF 1	SHEET SIZE: A	DT: 08/27/2004	CHKD: S.J.	HSR-1		CA	
RE: RICHCO INC.		RICHCO, INC.		ENG@RICHCO-INC.COM		(773) 539-4060			

X-ON Electronics

Largest Supplier of Electrical and Electronic Components

Click to view similar products for [Heat Sinks](#) category:

Click to view products by [ESSENTRA](#) manufacturer:

Other Similar products are found below :

[581102B00000G](#) [656-15ABPE](#) [657-20ABPNE](#) [7020B-TC12-MTG](#) [73452PPBA](#) [7G0011A](#) [PF720G](#) [A22-4026](#) [120-1873-007](#) [HAH10L](#)
[1542616-1](#) [HS-2506-F1](#) [HS-87M0-F2](#) [218-40CTE3](#) [25-7520](#) [SW50-4G](#) [231-75PAB-13V](#) [231-75PAB-15V](#) [253-122ABE-22](#) [PSC22CB](#)
[HAF10L](#) [HAQ10T](#) [D10100-28](#) [BDN183CBA01](#) [3-21053-4](#) [32438](#) [TX0506-1B](#) [TX1806B](#) [LAE66A3CB](#) [WA-DT2-101E](#) [511-3U](#)
[73381PPBA](#) [73403PPBA](#) [7G0047C](#) [COMX-440-HSP](#) [510-12M](#) [D10650-40T5](#) [V8511 Y](#) [APF40-40-13CB/A01](#) [780653U04500G](#) [ATS-](#)
[54310K-C2-R0](#) [FK 216 CB SA](#) [FK 231 SA 220](#) [648-51AB](#) [657-20ABPESC](#) [2341BG](#) [679-25AG](#) [FK 212 CB SA](#) [FK225 SA L1](#) [680-5K](#)