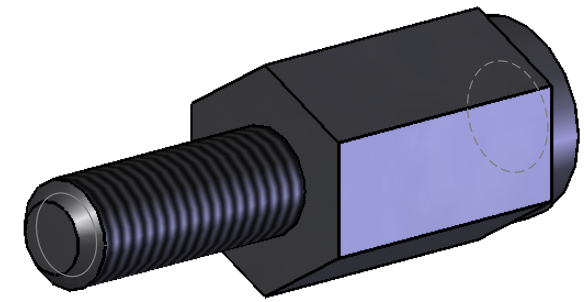
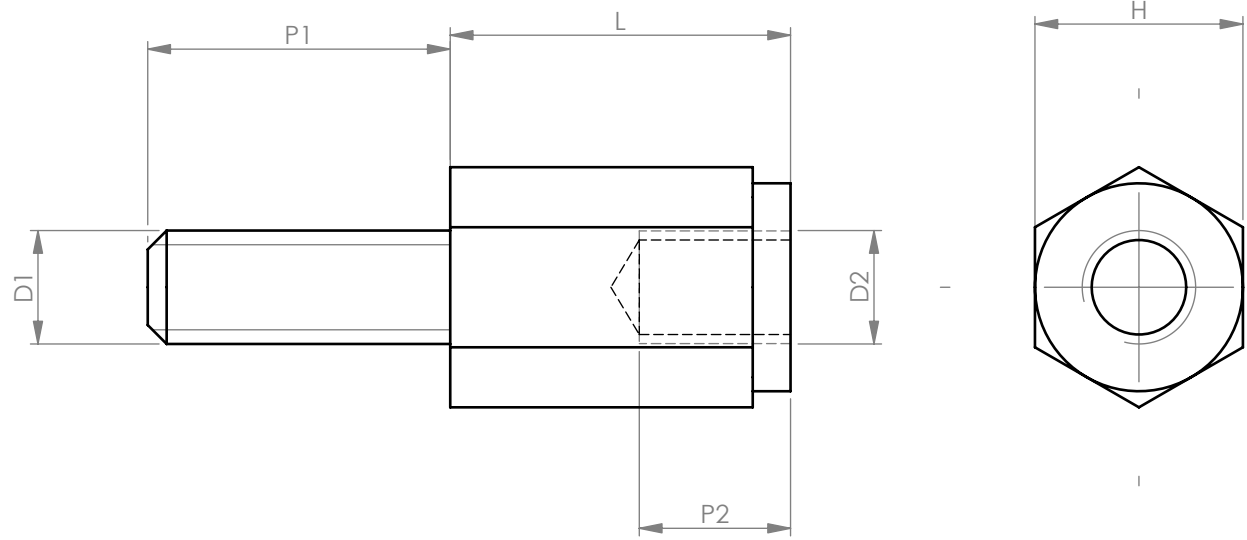


REV.	MODIFICATION.	DATE	DRN
01	NEW DRAWING	22/10/04	NJB
02	ECN 04-219	09/12/04	NJB
03	ECN 05-061	11/05/05	OW
04	ECN 06-253	24/11/06	OW
05	ECN 07-066	19/04/07	SF



NOTES:  
 1) ALL PRIMARY DIMENSIONS IN mm,  
 SECONDARY DIMENSIONS IN [INCHES].  
 2) ALL LENGTHS ARE AVAILABLE IN 1mm  
 INCREMENTS.

INFORMATION CONTAINED IN THIS DOCUMENT IS CONFIDENTIAL TO RICHCO INTERNATIONAL Co. Ltd. AND MAY NOT BE DISCLOSED OR REPRODUCED IN WHOLE OR PART WITHOUT THEIR WRITTEN CONSENT



METRIC GENERAL TOLERANCES ±0.25  
 ARE PRIMARY UNLESS OTHERWISE STATED  
 1 DECIMAL PLACE ±  
 2 DECIMAL PLACES ±  
 ANGULAR ±1°  
 IMPERIAL GENERAL TOLERANCES ±0.010  
 ARE FOR REFERENCE UNLESS OTHERWISE STATED  
 1 DECIMAL PLACE ±  
 2 DECIMAL PLACES ±  
 ANGULAR ±1°

MATERIAL: <b>NYLON 6/6 (RMS-172)</b>		COLOUR: <b>BLACK</b>	
TITLE: <b>HEXAGONAL THREADED SPACER, NYLON</b>		PART No: <b>HTSN-MD-L-H-2</b>	
DRG No: <b>04-131</b>	NPR REF:		SIZE <b>A4</b>
DRN <b>NJB</b>	DATE <b>22/10/04</b>	CHKD <b>RC</b>	DATE <b>23/10/04</b>
SCALE <b>NTS</b>	SHEET No <b>1 OF 1</b>		

PART No.	D1=D2	H	L																	
HTSN-M2.5-L-5-2	M2.5	5.0 (0.197)	5.0	6.0	7.0	8.0	9.0	10.0	11.0	15.0	45.0	(0.197)	(0.237)	(0.276)	(0.315)	(0.355)	(0.394)	(0.433)	(0.590)	(1.772)
HTSN-M3-L-5.5-2	M3	5.5 (0.217)	5.0	6.0	7.0	8.0	9.0	10.0	11.0	15.0	61.0	(0.197)	(0.237)	(0.276)	(0.315)	(0.355)	(0.394)	(0.433)	(0.590)	(2.402)
HTSN-M3-L-6-2	M3	6.0 (0.236)	5.0	6.0	7.0	8.0	9.0	10.0	11.0	15.0	61.0	(0.197)	(0.237)	(0.276)	(0.315)	(0.355)	(0.394)	(0.433)	(0.590)	(2.402)
HTSN-M3-L-8-2	M3	8.0 (0.315)	5.0	6.0	7.0	8.0	9.0	10.0	11.0	15.0	61.0	(0.197)	(0.237)	(0.276)	(0.315)	(0.355)	(0.394)	(0.433)	(0.590)	(2.402)
HTSN-M4-L-8-2	M4	8.0 (0.315)	5.0	6.0	7.0	8.0	9.0	10.0	11.0	15.0	65.0	(0.197)	(0.237)	(0.276)	(0.315)	(0.355)	(0.394)	(0.433)	(0.590)	(2.556)
HTSN-M5-L-10-2	M5	10.0 (0.394)	5.0	6.0	7.0	8.0	9.0	10.0	11.0	15.0	60.0	(0.197)	(0.237)	(0.276)	(0.315)	(0.355)	(0.394)	(0.433)	(0.590)	(2.363)
	P1		8.0	8.0	8.0	8.0	8.0	8.0	8.0	8.0	8.0	(0.315)	(0.315)	(0.315)	(0.315)	(0.315)	(0.315)	(0.315)	(0.315)	(0.315)
	P2 MIN.		3.0	3.5	4.0	5.0	6.0	8.0	9.0	10.0	11.0	(0.119)	(0.318)	(0.158)	(0.197)	(0.237)	(0.315)	(0.355)	(0.394)	(0.433)

## X-ON Electronics

Largest Supplier of Electrical and Electronic Components

*Click to view similar products for [Standoffs & Spacers](#) category:*

*Click to view products by [ESSENTRA](#) manufacturer:*

Other Similar products are found below :

[588-6208-02](#) [599-9844-02](#) [M0516-3-N](#) [M0518-3-N](#) [M0521-3-N](#) [M0524-3-N](#) [M0532-35-N](#) [M0543-4-AL](#) [M0544-35-N](#) [M0544-3-N](#) [M0545-3-AL](#) [M0553-3-N](#) [M0608-5-SS](#) [M0609-5-SS](#) [M0651-5-SS](#) [M0653-35-N](#) [M0654-4-SS](#) [M0655-5-AL](#) [M0658-35-AL](#) [M0660-4-AL](#) [M0660-4-N](#) [M0670-35-N](#) [M0671-5-N](#) [M0671-5-SS](#) [M0722-5-N](#) [M0725-6-N](#) [M0904-B-25-AL](#) [M1273-2545-AL](#) [M1273-2545-SS](#) [M1273-3005-AL](#) [M1273-3005-SS](#) [M1274-3005-AL](#) [60187](#) [60202-SP](#) [60273](#) [60335-SP](#) [60348-SP](#) [60419-SP](#) [60425-SP](#) [60473-SP](#) [60475-SP](#) [60477-SP](#) [60489-SP](#) [60491-SP](#) [60585-SP](#) [60762-SP](#) [60763-SP](#) [60872-SP](#) [M1303-3506-AL](#) [M1307-3506-AL](#)