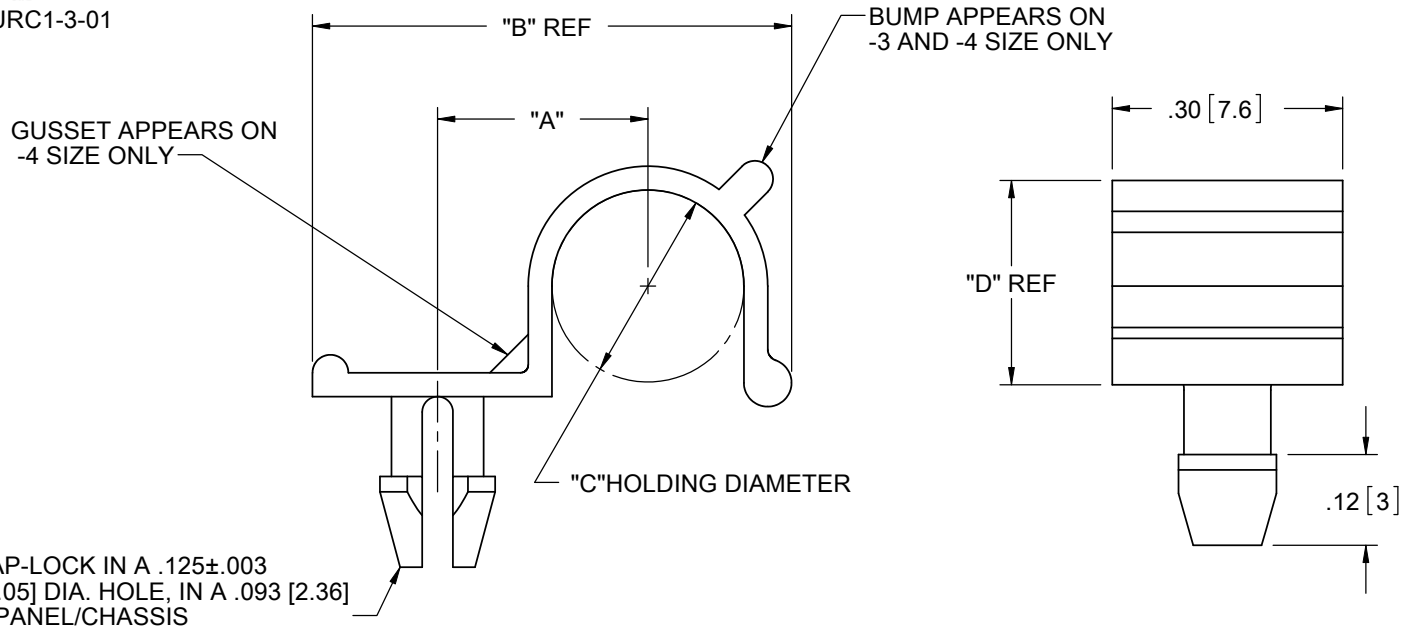


PART NO.	"A"	"B" REF	"C" HOLDING DIAMETER	"D" REF
HURC1-2-01	.20 [5.1]	.49 [12.4]	1/8 [3.2]	.17 [4.3]
HURC1-3-01	.24 [6.1]	.56 [14.2]	3/16 [4.8]	.24 [6.1]
HURC1-4-01	.27 [6.9]	.62 [15.7]	1/4 [6.4]	.30 [7.6]



NOTES:

- MATERIAL: NYLON 6/6 UL 94 V-2 (RMS-01).
 NYLON 6/6 UL 94 V-0 (RMS-19) AVAILABLE BY SPECIAL ORDER ONLY.
 NYLON 4/6 UL 94 V-2 (RMS-109) AVAILABLE BY SPECIAL ORDER ONLY.
 TO ORDER REPLACE "-01" WITH "-109"
- COLOR: NATURAL.

TITLE: "HALF-U" ROUTING CLIP						DWG IN IN [MM]	
CREATED USING SOLIDWORKS	FILE #: HURC1	DWN: SK	APP: S.J.	FINAL			
TOLERANCES UNLESS NOTED XX=±.010 .XXX=±.005 FRAC.=±1/64 ANG.=±1°	SHEET: 1 OF 1	SHEET SIZE: A	DT: 04/29/08	CHKD: S.K.	PART #		PRINT TYPE
RE: RICHCO, INC.	RICHCO, INC. ENG@RICHCO-INC.COM (773) 539-4060		SEE TABLE		CA		

REV.	DESCRIPTION	ENGR.	DATE
D	SEE CO 200345 FOR CHANGES	S.K.	03/23/09
C	SEE CO 200201 FOR CHANGES	S.K.	06/10/08
B	SEE CO 200169 FOR CHANGES	S.K.	04/29/08
A	CHANGES FILE NO.	S.M.	05/31/01

X-ON Electronics

Largest Supplier of Electrical and Electronic Components

Click to view similar products for [Cable Mounting & Accessories](#) category:

Click to view products by [ESSENTRA](#) manufacturer:

Other Similar products are found below :

[582603-1](#) [009333-000](#) [727844N003](#) [747](#) [809090N001](#) [843188-000](#) [8666](#) [967279N002](#) [DB-11](#) [1300840039](#) [1300900096](#) [1301800416](#)
[1302264450](#) [1300830184](#) [1300830729](#) [1300900039](#) [1301580036](#) [1301850553](#) [1301860939](#) [1302000074](#) [1302261315](#) [1302264431](#)
[1337706-2](#) [APA18-AK](#) [1724](#) [1-787307-1](#) [185491N001](#) [1868](#) [HP-6N](#) [C-202-C](#) [202C221-13-0](#) [CA7308-000](#) [8S23-75FR-CS8184](#) [2684](#) [9648](#)
[3089](#) [988382-000](#) [A72821-000](#) [AA401](#) [173506-000](#) [1823](#) [202C292-13-0](#) [202C302-13-0](#) [2109](#) [300625](#) [3330](#) [3412](#) [356247-1](#) [M9142](#)
[M9143](#)