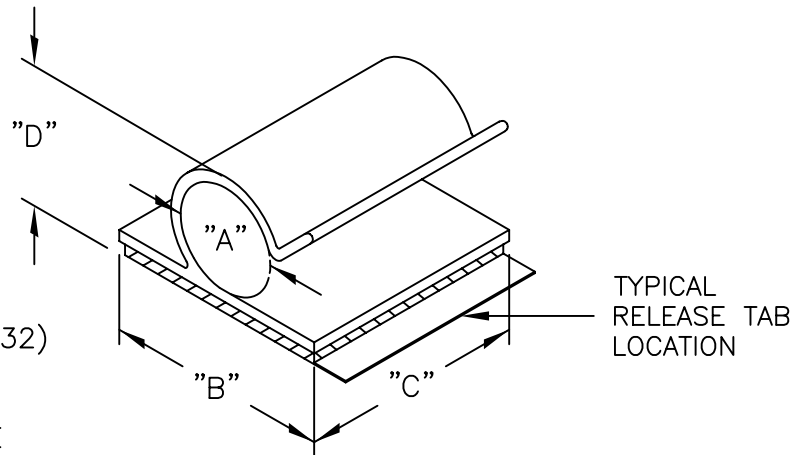


PART NO.	HOLDING CAPACITY "A"	"B" ±.015 (0.4)	"C" ±.02 (0.5)	"D" AT. MAX CAPACITY REF.
KKC-2-RT	1/8 (3.2)	3/4 (19.1)	.750 (19.1)	.31 (7.9)
KKC-3-RT	3/16 (4.8)			.33 (8.4)
KKC-4-RT	1/4 (6.4)			.42 (10.7)
KKC-5-RT	5/16 (7.9)			.48 (12.2)
KKC-6-RT	3/8 (9.5)			.60 (15.2)
KKC-8-RT	1/2 (12.7)	1 (25.4)	1.000 (25.4)	.69 (17.5)
KKC-12-RT	3/4 (19.1)			.94 (23.9)



NOTES:

1. MATERIAL: RIGID PVC (RMS-04).  
ALSO AVAILABLE IN CLEAR PVC (RMS-32)  
BY SPECIAL ORDER.
2. COLOR: GRAY.
3. 1/16" THICK DOUBLE SIDED ADHESIVE  
ACRYLIC TAPE (RMS-15), WHITE LINER.
4. 1/16" THICK DOUBLE SIDED ADHESIVE  
RUBBER TAPE (RMS-102), BLUE LINER.  
BY SPECIAL ORDER ONLY.  
TO ORDER USE P/N: KKC-X-A1-RT.
5. CUSTOM LENGTHS AVAILABLE BY SPECIAL ORDER.

TITLE: KWIK-KLIP, TYPE "C"			DWG IN IN (MM)		FINAL						
D	CHANGED NOTE 1, ADDED NOTE 5	SJ 03.14.02	TOLERANCES UNLESS NOTED .XX=±.020 .XXX=±.015 FRAC=±1/64 ANG=±1'	FILE #	KKC	DWN:	S.M.	APP:			
C	CHANGED NOTE 3. AND ADDED NOTE 4.	SM 05.31.01		MAT'L:	SEE NOTES	DT:	11/14/00	DT:		PART #	
B	COMPLETELY RE-DRAWN & CHANGED FILE #	SM 11.14.00		RE:	RICHCO, INC.	RICHCO INC. PO BOX 804238, CHICAGO, 60680 (773) 539-4060				SEE TABLE	PRINT TYPE CA
A	ADDED NOTES, CORRECTED TAPE THICKNESS TO 1/16"	JK 2.10.00									
REV	DESCRIPTION	ENGR DATE									

## X-ON Electronics

Largest Supplier of Electrical and Electronic Components

*Click to view similar products for [Cable Mounting & Accessories](#) category:*

*Click to view products by [Essentra](#) manufacturer:*

Other Similar products are found below :

[8945](#) [8950](#) [8961](#) [582603-1](#) [009333-000](#) [CXA-0069](#) [D-150-0175CS2902](#) [70.060.1628.0](#) [727844N003](#) [770-1102](#) [770-1204](#) [770-1205-10](#)  
[770-1301-10](#) [770-1306](#) [770-1422](#) [770-1602](#) [770-1603](#) [770-1604](#) [770-1607](#) [790-1002](#) [809090N001](#) [843188-000](#) [843459N001](#) [8666](#)  
[PVC10512-BLACK-500](#) [PVC1056-BLACK-500](#) [DB-11](#) [1301800416](#) [1302030548](#) [1302264450](#) [1300830184](#) [1300830729](#) [1300900039](#)  
[1301580036](#) [1301850553](#) [1301860900](#) [1301860939](#) [1302000074](#) [1302261315](#) [1302264431](#) [APA18-AK](#) [MSK-0001](#) [1-787307-1](#) [1868](#) [C-](#)  
[202-C](#) [202C221-13-0](#) [CA7308-000](#) [229408-1](#) [KC-201](#) [8949](#)