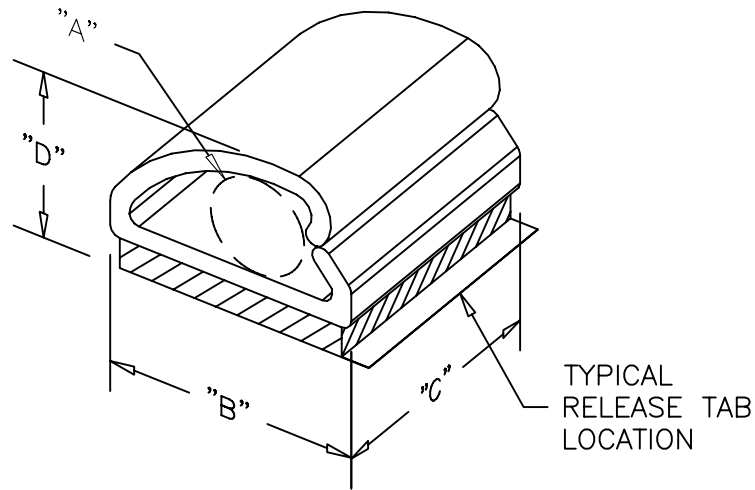


PART NO.	HOLDING CAPACITY "A"	"B" ±.02 (0.5)	"C" ±.02 (0.5)	"D" AT MAX CAPACITY REF.
KKD-4-RT	.250(6.4)	.50(12.7)	.500(12.7)	.40(10.2)
KKD-8-RT	.500(12.7)	.75(19.1)	.750(19.1)	.73(18.5)
KKD-12-RT	.750(19.1)	1.13(28.2)	1.000(25.4)	1.02(25.9)
KKD-16-RT	1.000(25.4)	1.50(38.1)	1.250(31.8)	1.30(33.0)

NOTES:

- MATERIAL: RIGID PVC (RMS-04)  
ALSO AVAILABLE IN CLEAR PVC (RMS-32)  
BY SPECIAL ORDER.
- COLOR: GRAY  
AVAILABLE IN BLACK BY SPECIAL ORDER ONLY.  
TO ORDER USE PART NO. KKD-X-RTBK
- TAPE: 1/16" THICK DOUBLE SIDED  
ADHESIVE (RMS-15), WHITE LINER.
- CUSTOM LENGTHS AVAILABLE BY SPECIAL ORDER.



J	SEE ECN #1335 FOR CHANGES	SK 06.14.07
I	CHANGED NOTE 1 & ADDED NOTE 4	SJ 03.14.02
H	DIM "B" WAS "E"	SM 03.07.01
G	CHANGED FILE NO.	S.M.11.17.00
F	.40 WAS .430, .73 WAS .731, 1.02 WAS .959, 1.30 WAS 1.300	S.M.11.08.00
E	ADDED NOTES, CORRECTED TAPE THICKNESS TO 1/16"	JK 2.10.00
D	COMPLETELY REVISED DWG, CHANGED D DIM'S	JK 10.29.99
C	ADDED ±.02 TO "B" DIM, ADDED REF TO "A"	MO 11/3/98
B	"D" AT MAX CAPACITY IS REF	MO 5/5/98
A	FOR KKD-8-RT, .50 "D" WAS .56; "D" IS REF	MO 2/6/98
REV	DESCRIPTION	ENGR DATE

TITLE: KWIK-KLIP, TYPE "D"		DWG IN IN (MM)		FINAL	
FILE #	KKD	DWN:	J.B.	APP:	F.L.
MAT'L:	SEE NOTES	DT:	12-11-95	DT:	10-29-99
RE:	RICHCO INC.	RICHCO INC. PO BOX 804238, CHICAGO, 60680 (773) 539-4060		PART #	SEE CHART
TOLERANCES UNLESS NOTED .XX=±.02 .XXX=±.015 FRAC=±1/64 ANG=±1'		PRINT TYPE		CA	

## X-ON Electronics

Largest Supplier of Electrical and Electronic Components

*Click to view similar products for [Cable Mounting & Accessories](#) category:*

*Click to view products by [ESSENTRA](#) manufacturer:*

Other Similar products are found below :

[582603-1](#) [009333-000](#) [727844N003](#) [747](#) [809090N001](#) [843188-000](#) [8666](#) [967279N002](#) [DB-11](#) [1300840039](#) [1300900096](#) [1301800416](#)  
[1302264450](#) [1300830184](#) [1300830729](#) [1300900039](#) [1301580036](#) [1301850553](#) [1301860939](#) [1302000074](#) [1302261315](#) [1302264431](#)  
[1337706-2](#) [APA18-AK](#) [1724](#) [1-787307-1](#) [185491N001](#) [1868](#) [HP-6N](#) [C-202-C](#) [202C221-13-0](#) [CA7308-000](#) [8S23-75FR-CS8184](#) [2684](#) [9648](#)  
[3089](#) [988382-000](#) [A72821-000](#) [AA401](#) [173506-000](#) [1823](#) [202C292-13-0](#) [202C302-13-0](#) [2109](#) [300625](#) [3330](#) [3412](#) [356247-1](#) [M9142](#)  
[M9143](#)