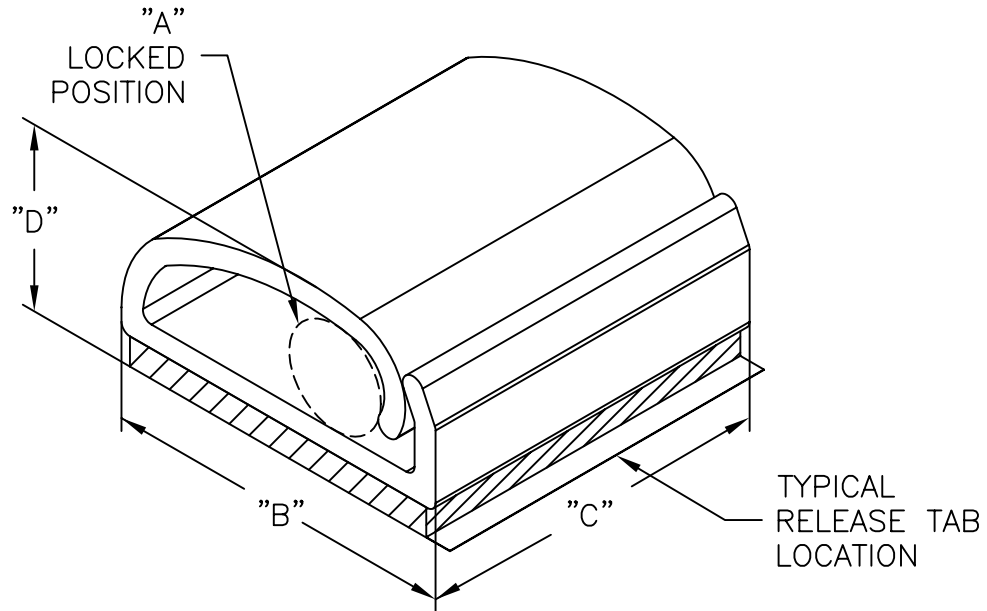


PART NO.	HOLDING CAPACITY "A"	"B" ±.015 (0.4)	"C" ±.02 (0.5)	"D" AT MAX. CAPACITY REF.
KKDL-4-RT	1/8 (3.2)	1/2 (12.7)	1/2 (12.7)	.28 (7.1)
KKDL-8-RT	7/32 (5.6)	3/4 (19.1)	3/4 (19.1)	.43 (10.9)



NOTES:

1. MATERIAL: RIGID PVC (RMS-04)
ALSO AVAILABLE IN CLEAR PVC (RMS-32)
BY SPECIAL ORDER.
2. COLOR: GRAY
3. TAPE: 1/16" THICK DOUBLE SIDED
ADHESIVE (RMS-15), WHITE LINER.
4. CUSTOM LENGTHS AVAILABLE BY SPECIAL ORDER.

TITLE: KWIK-KLIP, TYPE "DL"		DWG IN IN (MM)		FINAL				
D	CHANGED NOTE 1 & ADDED NOTE 4	SJ 03.14.02	TOLERANCES UNLESS NOTED	FILE # KKDL	DWN: S.M.	APP:	PART # SEE CHART	PRINT TYPE CA
C	COMPLETELY RE-DRAWN & CHANGED FILE #	S.M. 01.04.01	.XX=±.020 .XXX=±.015 FRAC=±1/64 ANG=±1'	MAT'L: SEE NOTE	DT: 01/05/01	DT:		
B	ADDED NOTES, CORRECTED TAPE THICKNESS TO 1/16"	JK 2.10.00		RE: RICHCO, INC.	RICHCO INC. PO BOX 804238, CHICAGO, 60680 (773) 539-4060			
A	KKDL-4 ADDED	JP 12.03.97						
REV	DESCRIPTION	ENGR DATE						

X-ON Electronics

Largest Supplier of Electrical and Electronic Components

Click to view similar products for [Cable Mounting & Accessories](#) category:

Click to view products by [ESSENTRA](#) manufacturer:

Other Similar products are found below :

[582603-1](#) [009333-000](#) [727844N003](#) [747](#) [809090N001](#) [843188-000](#) [8666](#) [967279N002](#) [DB-11](#) [1300840039](#) [1300900096](#) [1301800416](#)
[1302264450](#) [1300830184](#) [1300830729](#) [1300900039](#) [1301580036](#) [1301850553](#) [1301860939](#) [1302000074](#) [1302261315](#) [1302264431](#)
[1337706-2](#) [APA18-AK](#) [1724](#) [1-787307-1](#) [185491N001](#) [1868](#) [HP-6N](#) [C-202-C](#) [202C221-13-0](#) [CA7308-000](#) [8S23-75FR-CS8184](#) [2684](#) [9648](#)
[3089](#) [988382-000](#) [A72821-000](#) [AA401](#) [173506-000](#) [1823](#) [202C292-13-0](#) [202C302-13-0](#) [2109](#) [300625](#) [3330](#) [3412](#) [356247-1](#) [M9142](#)
[M9143](#)