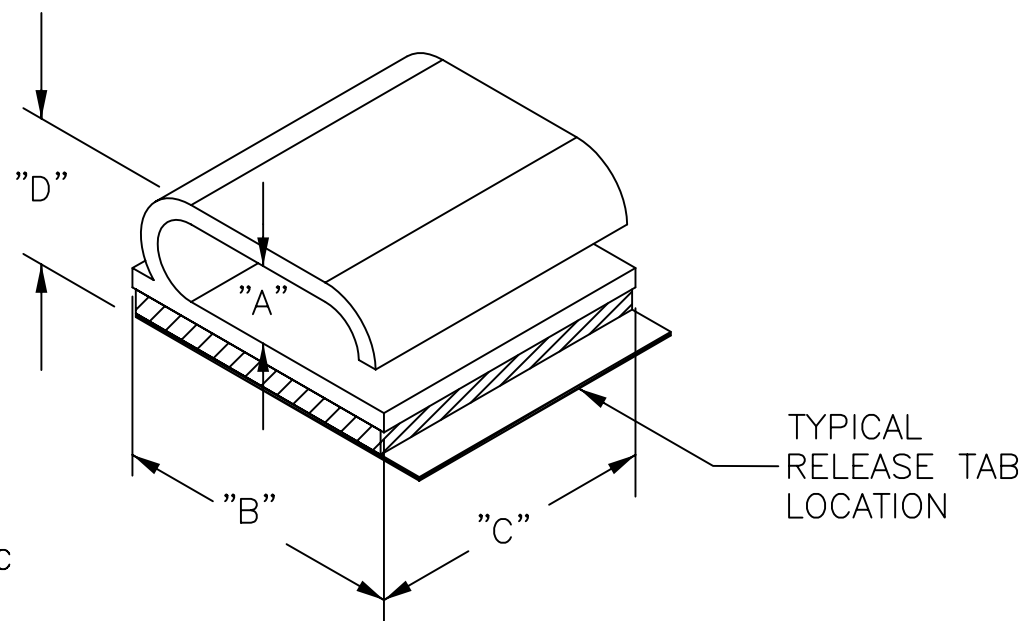


PART NO.	HOLDING CAPACITY "A"	"B"±.015 (0.4)	"C"±.02 (0.5)	"D" AT MAX CAPACITY REF.
KKF-10X4-RT	.20 X .56 (5.1 X 14.3)	.750 (19.1)	.750 (19.1)	.36 (9.1)



NOTES:

- MAT'L: RIGID PVC (RMS-04). ALSO AVAILABLE IN CLEAR PVC (RMS-32) BY SPECIAL ORDER
- COLOR: GRAY
- TAPE: 1/16" THICK DOUBLE SIDED ADHESIVE (RMS-15).
- CUSTOM LENGTHS AVAILABLE BY SPECIAL ORDER.

TITLE: KWIK-KLIP, TYPE "F", SIZE 10X4			DWG IN IN (MM)		FINAL					
D	CHANGED NOTE 1 & ADDED NOTE 4	SJ 03.18.02	TOLERANCES UNLESS NOTED .XX=.020 .XXX=.015 FRAC=1/64 ANG=1°	FILE #	KKF	DWN:	S.M.	APP:		
C	COMPLETELY RE-DRAWN & CHANGED FILE #	S.M.11.28.00		MAT'L:	SEE NOTE	DT:	11/28/00	DT:		PART #
B	ADDED NOTES, CORRECTED TAPE THICKNESS TO 1/16"	JK 2.10.00		RE:	RICHCO, INC.	RICHCO INC.		PO BOX 804238, CHICAGO, 60680		SEE TABLE
A	COMPLETELY CORRECTED AND REVISED PRINT	JK 11.17.99				(773) 539-4060				PRINT TYPE
REV	DESCRIPTION	ENGR DATE								CA

X-ON Electronics

Largest Supplier of Electrical and Electronic Components

Click to view similar products for [Cable Mounting & Accessories](#) category:

Click to view products by [ESSENTRA](#) manufacturer:

Other Similar products are found below :

[582603-1](#) [009333-000](#) [727844N003](#) [747](#) [809090N001](#) [843188-000](#) [8666](#) [967279N002](#) [DB-11](#) [1300840039](#) [1300900096](#) [1301800416](#)
[1302264450](#) [1300830184](#) [1300830729](#) [1300900039](#) [1301580036](#) [1301850553](#) [1301860939](#) [1302000074](#) [1302261315](#) [1302264431](#)
[1337706-2](#) [APA18-AK](#) [1724](#) [1-787307-1](#) [185491N001](#) [1868](#) [HP-6N](#) [C-202-C](#) [202C221-13-0](#) [CA7308-000](#) [8S23-75FR-CS8184](#) [2684](#) [9648](#)
[3089](#) [988382-000](#) [A72821-000](#) [AA401](#) [173506-000](#) [1823](#) [202C292-13-0](#) [202C302-13-0](#) [2109](#) [300625](#) [3330](#) [3412](#) [356247-1](#) [M9142](#)
[M9143](#)