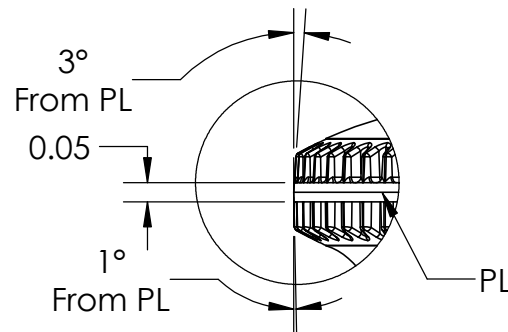
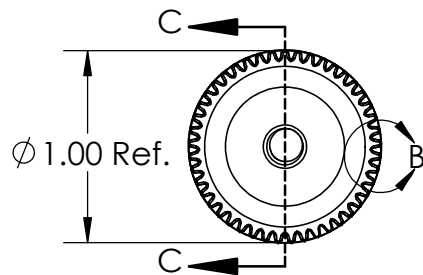
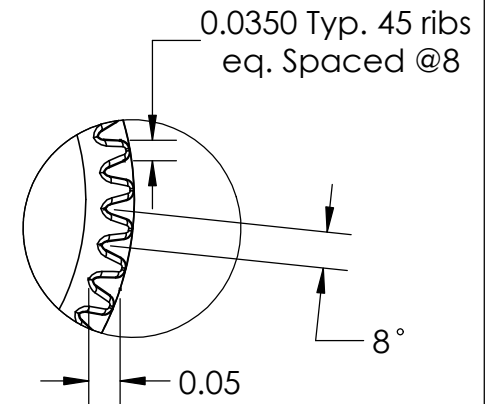


SECTION C-C
SCALE 1 : 1

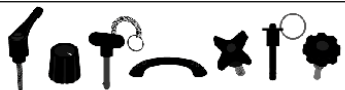


DETAIL A
SCALE 2 : 1



DETAIL B
SCALE 3 : 1

FOR CUSTOMER APPROVAL ONLY				REV	BY	DATE	COMMENT	DIMENSIONS ARE IN INCHES TOLERANCES FRACTIONAL ± TWO PLACE DECIMAL ± 0.03 THREE PLACE DECIMAL ± 0.010 UNLESS OTHERWISE NOTED	DRAWN	VRR	 INNOVATIVE COMPONENTS	
NAME:	0	JBA	05/08/13				RELEASE DATE	APPROVED	LQR			PART NAME
	1	LA	01/30/19				Changed Insert	DATE	01/30/2019		1.00" Round Knurled Knob W/Tall Hub 10-32 X 1-1/4" Steel, Zinc, ABS	
TITLE:								COMMENTS			PART NUMBER	
DATE:								Knob Volume:	0.25678911 cubic inches		KN021250K6D-A21	
SIGNATURE:							PROPRIETARY AND CONFIDENTIAL THE INFORMATION CONTAINED IN THIS DRAWING IS THE SOLE PROPERTY OF INNOVATIVE COMPONENTS. ANY REPRODUCTION IN PART OR AS A WHOLE WITHOUT THE WRITTEN PERMISSION OF INNOVATIVE COMPONENTS IS PROHIBITED.	KNOB MATERIAL ABS, Black	INSERT MATERIAL Steel		DRAWING NUMBER	
								KNOB FINISH Textured	INSERT FINISH Trivalent Zinc		KN021250K6D-A21 R1	
								INSERT PART NUMBER MS021500WS---2R			SCALE 1.5:1	SHEET 1 OF 1



X-ON Electronics

Largest Supplier of Electrical and Electronic Components

Click to view similar products for [Knobs & Dials](#) category:

Click to view products by [ESSENTRA](#) manufacturer:

Other Similar products are found below :

[790-1030](#) [790-1202](#) [790-2226](#) [8519](#) [8529](#) [8547](#) [85-559](#) [8573](#) [11K5015-EMNB](#) [11K5019-ECNB](#) [11K5020-KLAB](#) [11K5048-KMNB](#)
[11K5014-EMNB](#) [11K5015-EMNG](#) [11K5019-EMNB](#) [MS91528-2N2B](#) [1770](#) [P400S-08-D6-N](#) [K6510](#) [KNP700A1/4](#) [3045B](#) [AR22PY-122B](#)
[PKJ50B18](#) [277A](#) [348003](#) [42000B38](#) [420114B14](#) [5006](#) [56008-001](#) [KS700B14](#) [411](#) [420037B14](#) [WA-101C-P](#) [WA-102B](#) [WA-103](#) [WA-109B](#)
[WA-1450-P](#) [WA-1550](#) [WA-1600-P](#) [WA-2300](#) [WA-4100](#) [WA-4108-P](#) [0166736-006](#) [0195316-052](#) [0703006-003](#) [0744386-211](#) [52-928.20](#)
[52-928.9](#) [8517](#) [8545](#)