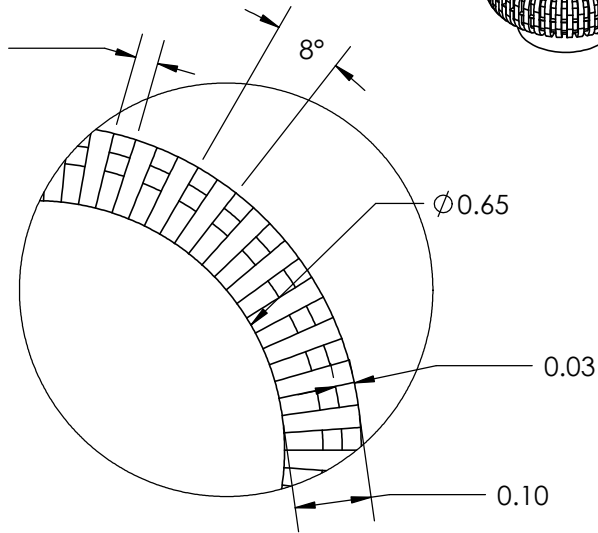
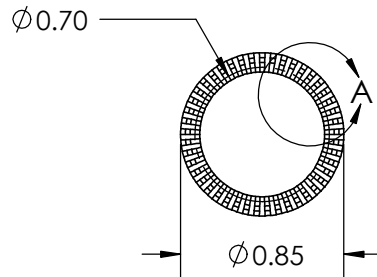


0.03 Typ. 45 ribs  
eq. spaced @ 8°



DETAIL A  
SCALE 4 : 1



Note: Threaded parts must accept 2A GO gage. Per current fastener industry practice, if form, fit, and function are achieved, parts may accept 2A NO GO.

FOR CUSTOMER APPROVAL ONLY				REV	BY	DATE	COMMENT	DIMENSIONS ARE IN INCHES TOLERANCES FRACTIONAL ± TWO PLACE DECIMAL ± 0.03 THREE PLACE DECIMAL ± 0.010 UNLESS OTHERWISE NOTED	DRAWN	VRR	 INNOVATIVE COMPONENTS PART NAME <b>0.75" Knurled Knob 10-32 Blind Locking, Steel, Zinc Insert</b>
NAME:	0	LRM	07/18/08				RELEASE DATE	APPROVED	LQR		
TITLE:	1	JPAH	11/9/11				Added Signature Box	DATE	11/8/2013		DRAWING NUMBER
DATE:	2	VRR	11/8/13				Added thread specs	COMMENTS			SCALE 1:1
SIGNATURE:	<p align="center"><b>PROPRIETARY AND CONFIDENTIAL</b></p> <p>THE INFORMATION CONTAINED IN THIS DRAWING IS THE SOLE PROPERTY OF INNOVATIVE COMPONENTS. ANY REPRODUCTION IN PART OR AS A WHOLE WITHOUT THE WRITTEN PERMISSION OF INNOVATIVE COMPONENTS IS PROHIBITED.</p>							KNOB MATERIAL Nylon, Black  KNOB FINISH Textured  INSERT PART NUMBER SNO2NM-----21	INSERT MATERIAL Steel  INSERT FINISH Zinc	PART NUMBER <b>KN02----K3-LN21</b>  SCALE 1:1	DRAWING NUMBER <b>11-05-13 R2</b>  SHEET 1 OF 1

## X-ON Electronics

Largest Supplier of Electrical and Electronic Components

*Click to view similar products for [Knobs & Dials](#) category:*

*Click to view products by [ESSENTRA](#) manufacturer:*

Other Similar products are found below :

[790-1030](#) [790-1202](#) [790-2226](#) [8519](#) [8529](#) [8547](#) [85-559](#) [8573](#) [11K5015-EMNB](#) [11K5019-ECNB](#) [11K5020-KLAB](#) [11K5048-KMNB](#)  
[11K5014-EMNB](#) [11K5015-EMNG](#) [11K5019-EMNB](#) [MS91528-2N2B](#) [1770](#) [P400S-08-D6-N](#) [K6510](#) [KNP700A1/4](#) [3045B](#) [AR22PY-122B](#)  
[PKJ50B18](#) [277A](#) [348003](#) [42000B38](#) [420114B14](#) [5006](#) [56008-001](#) [KS700B14](#) [411](#) [420037B14](#) [WA-101C-P](#) [WA-102B](#) [WA-103](#) [WA-109B](#)  
[WA-1450-P](#) [WA-1550](#) [WA-1600-P](#) [WA-2300](#) [WA-4100](#) [WA-4108-P](#) [0166736-006](#) [0195316-052](#) [0703006-003](#) [0744386-211](#) [52-928.20](#)  
[52-928.9](#) [8517](#) [8545](#)