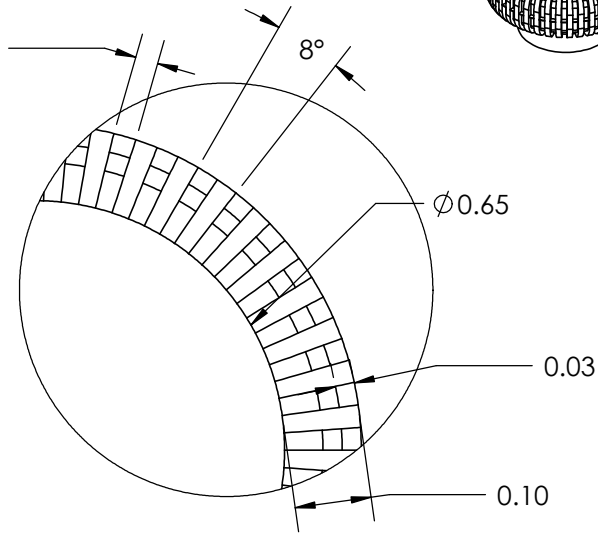
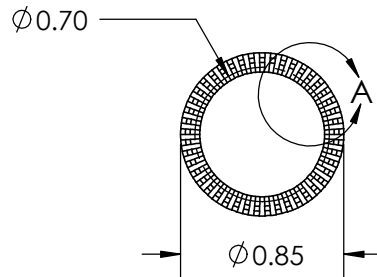


0.03 Typ. 45 ribs  
eq. spaced @ 8°



DETAIL A  
SCALE 4 : 1



Note: Threaded parts must accept 2A GO gage. Per current fastener industry practice, if form, fit, and function are achieved, parts may accept 2A NO GO.

FOR CUSTOMER APPROVAL ONLY		REV	BY	DATE	COMMENT	DIMENSIONS ARE IN INCHES TOLERANCES FRACTIONAL ± TWO PLACE DECIMAL ± 0.03 THREE PLACE DECIMAL ± 0.010 UNLESS OTHERWISE NOTED	DRAWN	VRR	 INNOVATIVE COMPONENTS PART NAME <b>0.75" Knurled Knob 10-32 Blind Locking, Steel, Zinc Insert</b>	
NAME:		0	LRM	07/18/08	RELEASE DATE		APPROVED	LQR		PART NUMBER <b>KN02----K3-LN21</b>
TITLE:		1	JPAH	11/9/11	Added Signature Box		DATE	11/8/2013	DRAWING NUMBER <b>11-05-13 R2</b>	
DATE:		2	VRR	11/8/13	Added thread specs		COMMENTS		SCALE 1:1	
SIGNATURE:					<b>PROPRIETARY AND CONFIDENTIAL</b> THE INFORMATION CONTAINED IN THIS DRAWING IS THE SOLE PROPERTY OF INNOVATIVE COMPONENTS. ANY REPRODUCTION IN PART OR AS A WHOLE WITHOUT THE WRITTEN PERMISSION OF INNOVATIVE COMPONENTS IS PROHIBITED.		KNOB MATERIAL Nylon, Black	KNOB FINISH Textured		INSERT MATERIAL Steel

## **X-ON Electronics**

Largest Supplier of Electrical and Electronic Components

*Click to view similar products for [Knobs & Dials](#) category:*

*Click to view products by [ESSENTRA](#) manufacturer:*

Other Similar products are found below :

[790-1030](#) [790-1202](#) [790-2226](#) [8519](#) [8529](#) [8547](#) [85-559](#) [8573](#) [11K5015-EMNB](#) [11K5048-KMNB](#) [11K5015-EMNG](#) [1770](#) [P400S-08-D6-N](#)  
[K6510](#) [3045B](#) [AR22PY-122B](#) [PKJ50B18](#) [277A](#) [348003](#) [42000B38](#) [420114B14](#) [5006](#) [56008-001](#) [411](#) [420037B14](#) [WA-101C-P](#) [WA-102B](#)  
[WA-103](#) [WA-109B](#) [WA-1450-P](#) [WA-1550](#) [WA-1600-P](#) [WA-2300](#) [WA-4100](#) [WA-4108-P](#) [0744386-211](#) [52-928.20](#) [52-928.60](#) [8517](#) [8545](#)  
[8572](#) [WA-4104](#) [WA-4103](#) [WA-2350](#) [WA-1202](#) [WA-104B](#) [WA-103B](#) [WA-102](#) [6126](#) [MS91528-0N1B](#)