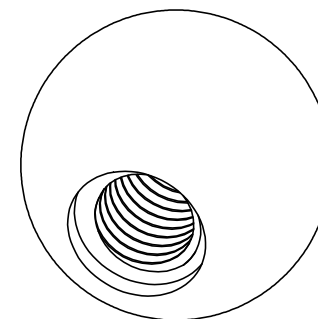
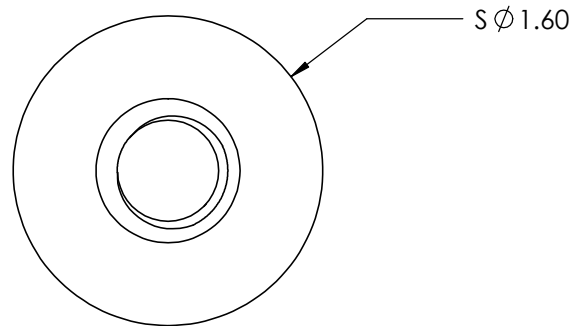
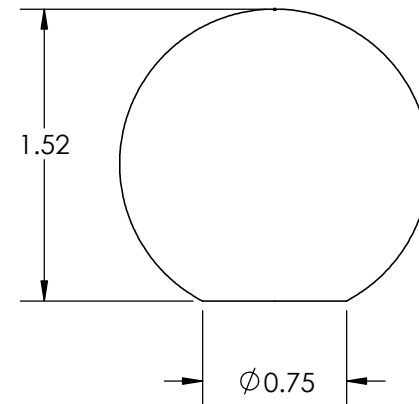
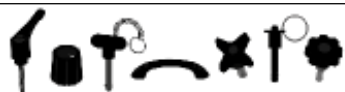


5/8-11 UNC-2B
Min Thread Depth: 0.50
Nylon Insert Locknut



Actual Size

FOR CUSTOMER APPROVAL ONLY		REV	BY	DATE	COMMENT	DIMENSIONS ARE IN INCHES TOLERANCES FRACTIONAL ± TWO PLACE DECIMAL ± 0.03 THREE PLACE DECIMAL ± 0.010 UNLESS OTHERWISE NOTED	DRAWN	JBA	 INNOVATIVE COMPONENTS PART NAME 1.63" Ball Knob, 5/8-11 W/ Locking, Steel, Zinc Insert PART NUMBER KN1C----B5-L-21 DRAWING NUMBER B5 SCALE 1:1
NAME:	0	JBA	03/13/13	RELEASE DATE	APPROVED		LQR		
TITLE:					DATE		03/13/2013		
DATE:	PROPRIETARY AND CONFIDENTIAL THE INFORMATION CONTAINED IN THIS DRAWING IS THE SOLE PROPERTY OF INNOVATIVE COMPONENTS. ANY REPRODUCTION IN PART OR AS A WHOLE WITHOUT THE WRITTEN PERMISSION OF INNOVATIVE COMPONENTS IS PROHIBITED.						COMMENTS		
SIGNATURE:							KNOB MATERIAL Polypropylene, Black KNOB FINISH Textured INSERT PART NUMBER SN1CNE-----21	INSERT MATERIAL Steel INSERT FINISH Zinc	



PLASTIC KNOBS / CONTROL KNOBS / HANDLES / QUICK RELEASE PINS & BALL LOCK PINS
SPRING LOADED PINS & PLUNGERS / WIRE ROPE LANYARDS / THREAD IDENTIFIERS

X-ON Electronics

Largest Supplier of Electrical and Electronic Components

Click to view similar products for [Knobs & Dials](#) category:

Click to view products by [ESSENTRA](#) manufacturer:

Other Similar products are found below :

[790-1030](#) [790-1202](#) [790-2226](#) [8519](#) [8529](#) [8547](#) [85-559](#) [8573](#) [11K5015-EMNB](#) [11K5019-ECNB](#) [11K5020-KLAB](#) [11K5048-KMNB](#)
[11K5014-EMNB](#) [11K5015-EMNG](#) [11K5019-EMNB](#) [MS91528-2N2B](#) [1770](#) [P400S-08-D6-N](#) [K6510](#) [KNP700A1/4](#) [3045B](#) [AR22PY-122B](#)
[PKJ50B18](#) [277A](#) [348003](#) [42000B38](#) [420114B14](#) [5006](#) [56008-001](#) [KS700B14](#) [411](#) [420037B14](#) [WA-101C-P](#) [WA-102B](#) [WA-103](#) [WA-109B](#)
[WA-1450-P](#) [WA-1550](#) [WA-1600-P](#) [WA-2300](#) [WA-4100](#) [WA-4108-P](#) [0166736-006](#) [0195316-052](#) [0703006-003](#) [0744386-211](#) [52-928.20](#)
[52-928.9](#) [8517](#) [8545](#)