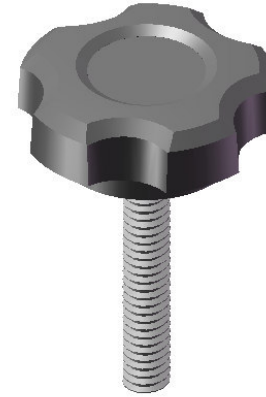
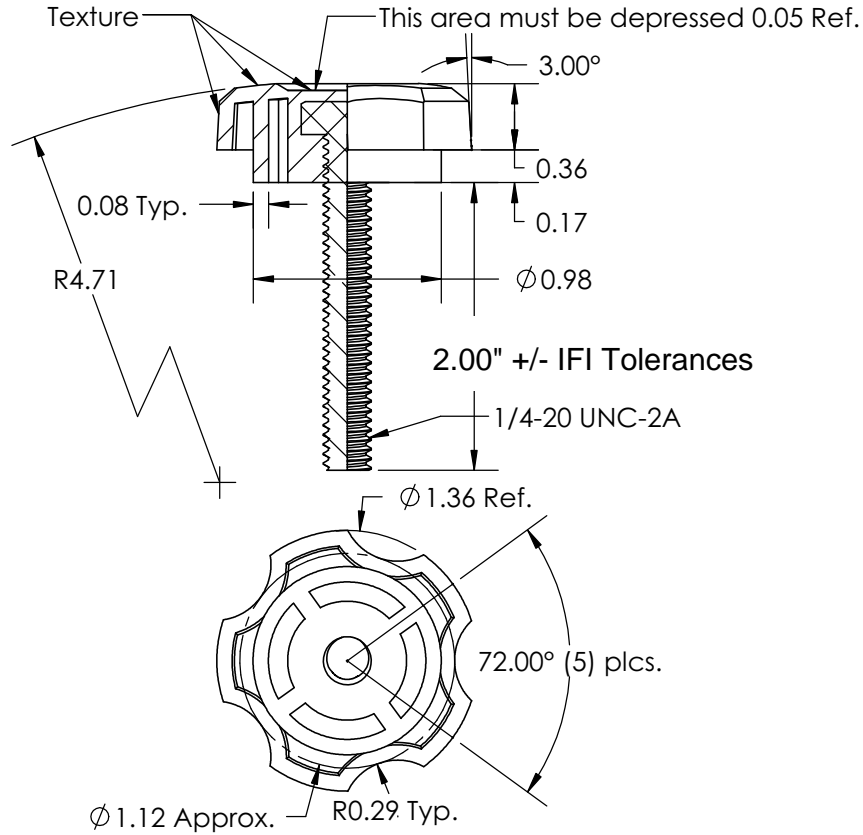
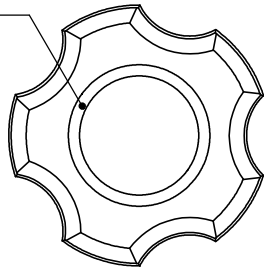


45 x 0.06 Diamond Polish



NAME: _____

DATE: _____

TITLE: _____

SIGNATURE: _____

REV	BY	DATE	COMMENT
0	DP	2/1/16	RELEASE DATE

PROPRIETARY AND CONFIDENTIAL

THE INFORMATION CONTAINED IN THIS DRAWING IS THE SOLE PROPERTY OF INNOVATIVE COMPONENTS. ANY REPRODUCTION IN PART OR AS A WHOLE WITHOUT THE WRITTEN PERMISSION OF INNOVATIVE COMPONENTS IS PROHIBITED.

DIMENSIONS ARE IN INCHES
 TOLERANCES
 FRACTIONAL ±
 TWO PLACE DECIMAL ± 0.03
 THREE PLACE DECIMAL ± 0.010
 UNLESS OTHERWISE NOTED

KNOB MATERIAL
 Polypropylene, black

KNOB FINISH
 Textured

INSERT PART NUMBER
 BT4C2250HU---21

DRAWN	DP
APPROVED	
DATE	2/1/16
COMMENTS MIN. TORQUE N/A in.-lbs.	
INSERT MATERIAL	Steel
INSERT FINISH	Zinc

INNOVATIVE COMPONENTS	
PART NAME	
1.38" Fluted Knob, Black, 1/4 - 20 X 2.00" Steel Zinc Stud	
PART NUMBER	DRAWING NUMBER
KN4C2000F2---21	F2
SCALE 1:1	SHEET 1 OF 1

X-ON Electronics

Largest Supplier of Electrical and Electronic Components

Click to view similar products for [Knobs & Dials](#) category:

Click to view products by [ESSENTRA](#) manufacturer:

Other Similar products are found below :

[790-1030](#) [790-1202](#) [790-2226](#) [8519](#) [8529](#) [8547](#) [85-559](#) [8573](#) [11K5015-EMNB](#) [11K5019-ECNB](#) [11K5020-KLAB](#) [11K5048-KMNB](#)
[11K5014-EMNB](#) [11K5015-EMNG](#) [11K5019-EMNB](#) [MS91528-2N2B](#) [1770](#) [P400S-08-D6-N](#) [K6510](#) [KNP700A1/4](#) [3045B](#) [AR22PY-122B](#)
[PKJ50B18](#) [277A](#) [348003](#) [42000B38](#) [420114B14](#) [5006](#) [56008-001](#) [KS700B14](#) [411](#) [420037B14](#) [WA-101C-P](#) [WA-102B](#) [WA-103](#) [WA-109B](#)
[WA-1450-P](#) [WA-1550](#) [WA-1600-P](#) [WA-2300](#) [WA-4100](#) [WA-4108-P](#) [0166736-006](#) [0195316-052](#) [0703006-003](#) [0744386-211](#) [52-928.20](#)
[52-928.9](#) [8517](#) [8545](#)