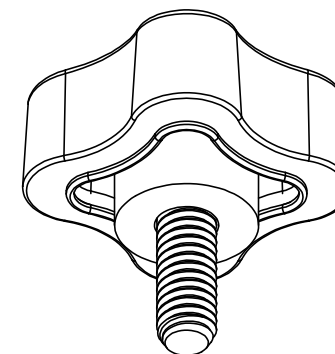
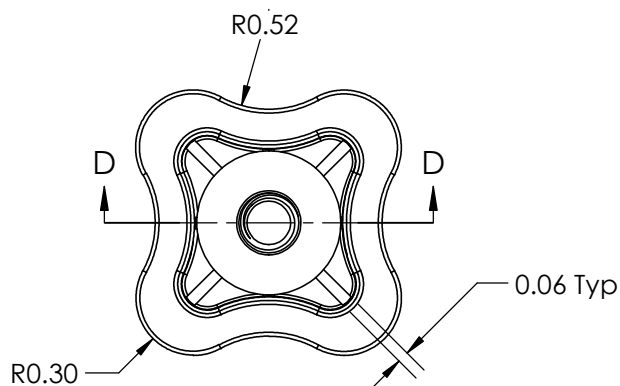
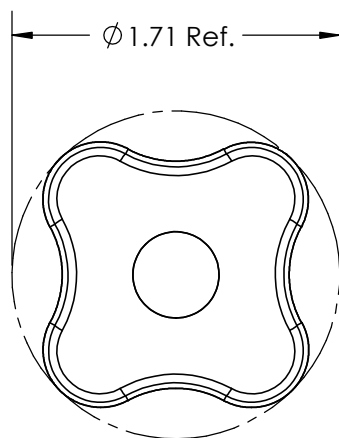


SECTION D-D



FOR CUSTOMER APPROVAL ONLY				REV	BY	DATE	COMMENT	DIMENSIONS ARE IN INCHES TOLERANCES FRACTIONAL ± TWO PLACE DECIMAL ± 0.03 THREE PLACE DECIMAL ± 0.010 UNLESS OTHERWISE NOTED		DRAWN	VRR		
NAME:	0	JBA	09/06/12				RELEASE DATE		APPROVED	LQR			PART NAME
	1	ABP	01/10/13				Changed Hub Height From 0.21" to 0.184"		DATE	09/19/2018		1.72" 4 Lobe Knob, Soft Touch, 5/16-18 X 3/4" Steel Zinc Stud.	
TITLE:	2	HOB	09/18/18				Adjusted Dimensions		COMMENTS				PART NUMBER
DATE:													DRAWING NUMBER
SIGNATURE:							PROPRIETARY AND CONFIDENTIAL THE INFORMATION CONTAINED IN THIS DRAWING IS THE SOLE PROPERTY OF INNOVATIVE COMPONENTS. ANY REPRODUCTION IN PART OR AS A WHOLE WITHOUT THE WRITTEN PERMISSION OF INNOVATIVE COMPONENTS IS PROHIBITED.	KNOB MATERIAL PP/TPE-48 Shore A, Black	Finish Textured	INSERT MATERIAL Steel	INSERT FINISH Trivalent Zinc	KN5C07504S4-S21	KN5C07504S4-S21-R2
								INSERT PART NUMBER KN5C07504S2I-21				SCALE 1:1	SHEET 1 OF 1



X-ON Electronics

Largest Supplier of Electrical and Electronic Components

Click to view similar products for [Knobs & Dials](#) category:

Click to view products by [ESSENTRA](#) manufacturer:

Other Similar products are found below :

[790-1030](#) [790-1202](#) [790-2226](#) [8519](#) [8529](#) [8547](#) [85-559](#) [8573](#) [11K5015-EMNB](#) [11K5019-ECNB](#) [11K5020-KLAB](#) [11K5048-KMNB](#)
[11K5014-EMNB](#) [11K5015-EMNG](#) [11K5019-EMNB](#) [MS91528-2N2B](#) [1770](#) [P400S-08-D6-N](#) [K6510](#) [KNP700A1/4](#) [3045B](#) [AR22PY-122B](#)
[PKJ50B18](#) [277A](#) [348003](#) [42000B38](#) [420114B14](#) [5006](#) [56008-001](#) [KS700B14](#) [411](#) [420037B14](#) [WA-101C-P](#) [WA-102B](#) [WA-103](#) [WA-109B](#)
[WA-1450-P](#) [WA-1550](#) [WA-1600-P](#) [WA-2300](#) [WA-4100](#) [WA-4108-P](#) [0166736-006](#) [0195316-052](#) [0703006-003](#) [0744386-211](#) [52-928.20](#)
[52-928.9](#) [8517](#) [8545](#)