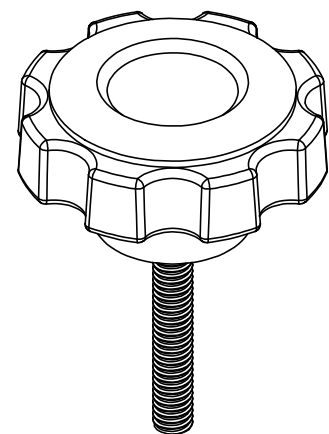
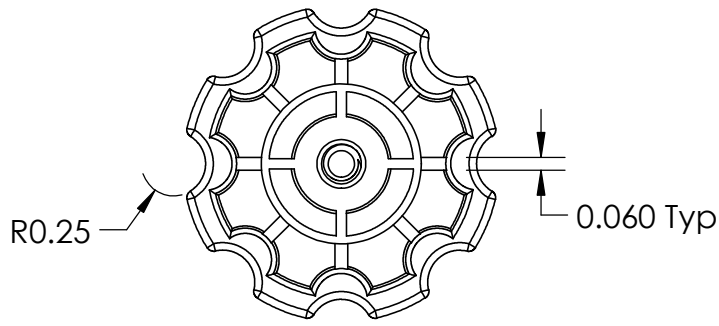
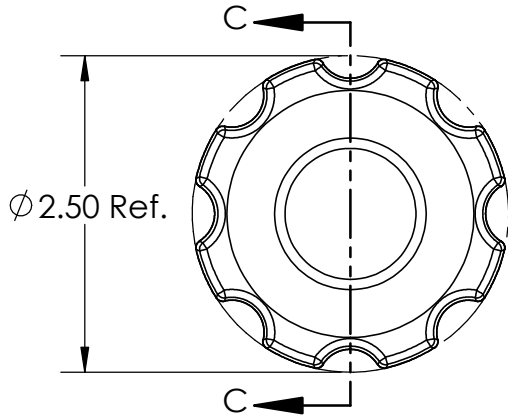
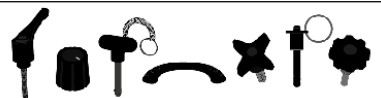


SECTION C-C
SCALE 1 : 1.5



FOR CUSTOMER APPROVAL ONLY		REV	BY	DATE	COMMENT	DIMENSIONS ARE IN INCHES TOLERANCES FRACTIONAL ± TWO PLACE DECIMAL ± 0.03 THREE PLACE DECIMAL ± 0.010 UNLESS OTHERWISE NOTED	DRAWN	VRR	INNOVATIVE COMPONENTS PART NAME 2.5" Soft touch fluted knob 5/16-18 x 2" Steel, Zinc Stud
NAME:	0	CG	07/01/20	RELEASE DATE	INNER PART NUMBER		APPROVED	LQR	
TITLE:					KN5C2000F6--21		DATE	07/01/2020	
DATE:	PROPRIETARY AND CONFIDENTIAL THE INFORMATION CONTAINED IN THIS DRAWING IS THE SOLE PROPERTY OF INNOVATIVE COMPONENTS. ANY REPRODUCTION IN PART OR AS A WHOLE WITHOUT THE WRITTEN PERMISSION OF INNOVATIVE COMPONENTS IS PROHIBITED.				MATERIAL		COMMENTS Soft Touch Material Usage: 0.0291 Pounds RoHS Compliant		
SIGNATURE:					FINISH		INSERT PART NUMBER Steel		
	Textured	INSERT FINISH Trivalent Zinc		PART NUMBER	KN5C2000F7S--21		DRAWING NUMBER	KN5C2000F7S--21-R0	
								SCALE	1:1.5



PLASTIC KNOBS / CONTROL KNOBS / HANDLES / QUICK RELEASE PINS & BALL LOCK PINS
 SPRING LOADED PINS & PLUNGERS / WIRE ROPE LANYARDS / THREAD IDENTIFIERS

X-ON Electronics

Largest Supplier of Electrical and Electronic Components

Click to view similar products for [Knobs & Dials](#) category:

Click to view products by [ESSENTRA](#) manufacturer:

Other Similar products are found below :

[790-1030](#) [790-1202](#) [790-2226](#) [8519](#) [8529](#) [8547](#) [85-559](#) [8573](#) [11K5015-EMNB](#) [11K5048-KMNB](#) [11K5015-EMNG](#) [1770](#) [P400S-08-D6-N](#)
[K6510](#) [3045B](#) [AR22PY-122B](#) [PKJ50B18](#) [277A](#) [348003](#) [42000B38](#) [420114B14](#) [5006](#) [56008-001](#) [411](#) [420037B14](#) [WA-101C-P](#) [WA-102B](#)
[WA-103](#) [WA-109B](#) [WA-1450-P](#) [WA-1550](#) [WA-1600-P](#) [WA-2300](#) [WA-4100](#) [WA-4108-P](#) [0744386-211](#) [52-928.20](#) [52-928.60](#) [8517](#) [8545](#)
[8572](#) [WA-4104](#) [WA-4103](#) [WA-2350](#) [WA-1202](#) [WA-104B](#) [WA-103B](#) [WA-102](#) [6126](#) [MS91528-0N1B](#)