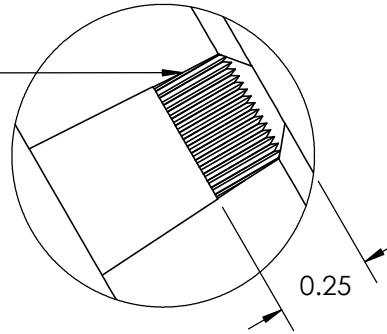
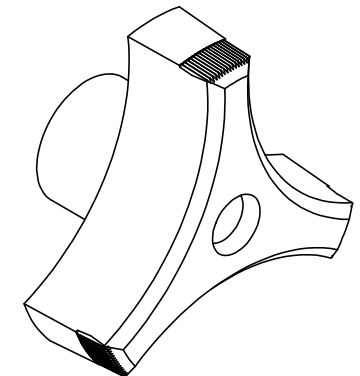


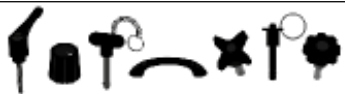
0.02 X 0.02
grooves
spaced
0.04 O.C.



DETAIL C
SCALE 2 : 1



FOR CUSTOMER APPROVAL ONLY	REV	BY	DATE	COMMENT	DIMENSIONS ARE IN INCHES TOLERANCES FRACTIONAL ± TWO PLACE DECIMAL ± 0.03 THREE PLACE DECIMAL ± 0.010 UNLESS OTHERWISE NOTED	DRAWN	VRR		
NAME:	0	DHP	06/14/07	RELEASE DATE		APPROVED	LQR		PART NAME
TITLE:	1	VRR	07/16/14	Added Signature Box		DATE	07/16/2014		2" 3-prong knob, 3/8-16 blind steel zinc insert
DATE:						COMMENTS	MIN. TORQUE N/A in.-lbs.		
SIGNATURE:	PROPRIETARY AND CONFIDENTIAL				MATERIAL	INSERT	FINISH	PART NUMBER	DRAWING NUMBER
	THE INFORMATION CONTAINED IN THIS DRAWING IS THE SOLE PROPERTY OF INNOVATIVE COMPONENTS. ANY REPRODUCTION IN PART OR AS A WHOLE WITHOUT THE WRITTEN PERMISSION OF INNOVATIVE COMPONENTS IS PROHIBITED.				Polypropylene, black	Steel	Zinc	KN6C---RT5B-21	05-01-14 R1
					KNOB FINISH			SCALE 1:1	SHEET 1 OF 1
					INSERT PART				
					NR6C05310750-21				



X-ON Electronics

Largest Supplier of Electrical and Electronic Components

Click to view similar products for [Knobs & Dials](#) category:

Click to view products by [ESSENTRA](#) manufacturer:

Other Similar products are found below :

[790-1030](#) [790-1202](#) [790-2226](#) [8519](#) [8529](#) [8547](#) [85-559](#) [8573](#) [11K5015-EMNB](#) [11K5019-ECNB](#) [11K5020-KLAB](#) [11K5048-KMNB](#)
[11K5014-EMNB](#) [11K5015-EMNG](#) [11K5019-EMNB](#) [MS91528-2N2B](#) [1770](#) [P400S-08-D6-N](#) [K6510](#) [KNP700A1/4](#) [3045B](#) [AR22PY-122B](#)
[PKJ50B18](#) [277A](#) [348003](#) [42000B38](#) [420114B14](#) [5006](#) [56008-001](#) [KS700B14](#) [411](#) [420037B14](#) [WA-101C-P](#) [WA-102B](#) [WA-103](#) [WA-109B](#)
[WA-1450-P](#) [WA-1550](#) [WA-1600-P](#) [WA-2300](#) [WA-4100](#) [WA-4108-P](#) [0166736-006](#) [0195316-052](#) [0703006-003](#) [0744386-211](#) [52-928.20](#)
[52-928.9](#) [8517](#) [8545](#)