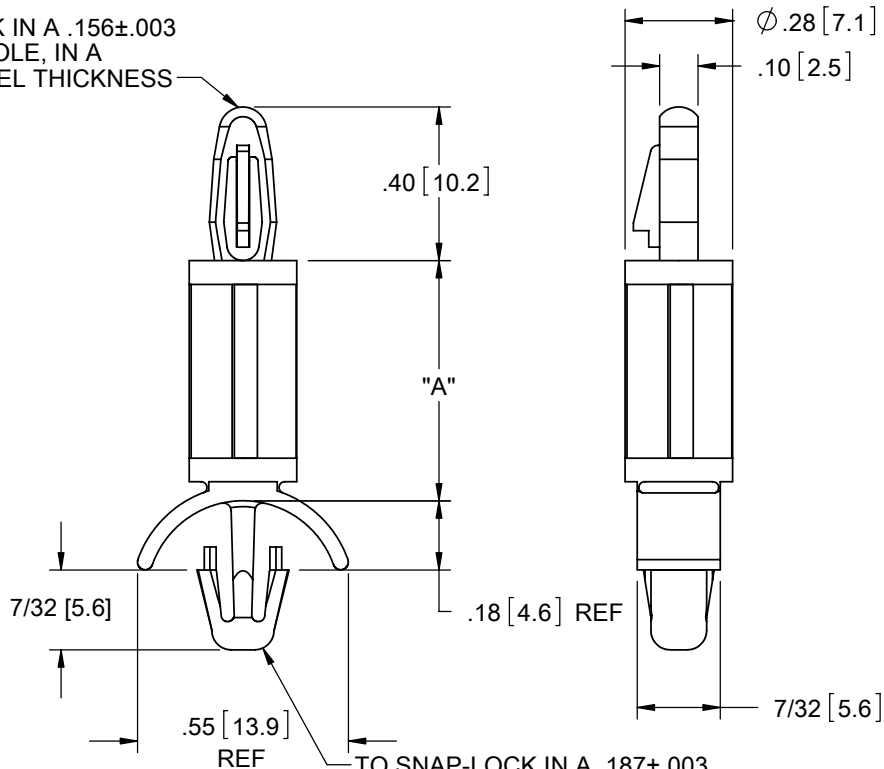
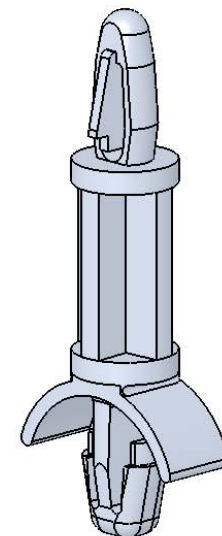


TO SNAP-LOCK IN A $.156 \pm .003$
 $[4 \pm 0.08]$ DIA. HOLE, IN A
 $.062 [1.57]$ PANEL THICKNESS



MATERIAL: NYLON 6/6 UL 94 V-2 (RMS-01) PART NO.	MATERIAL: NYLON 6/6 UL 94 V-0 (RMS-19) PART NO.	DIM. "A" ± .015
LCBS-2-3-01	LCBS-2-3-19	3/16 [4.8]
LCBS-2-4-01	LCBS-2-4-19	1/4 [6.4]
LCBS-2-5-01	LCBS-2-5-19	5/16 [7.9]
LCBS-2-6-01	LCBS-2-6-19	3/8 [9.5]
LCBS-2-7-01	LCBS-2-7-19	7/16 [11.1]
LCBS-2-8-01	LCBS-2-8-19	1/2 [12.7]
LCBS-2-10-01	LCBS-2-10-19	5/8 [15.9]
LCBS-2-12-01	LCBS-2-12-19	3/4 [19.1]
LCBS-2-14-01	LCBS-2-14-19	7/8 [22.2]
LCBS-2-16-01	LCBS-2-16-19	1.0 [25.4]
LCBS-2-18-01	LCBS-2-18-19	1-1/8 [28.6]
LCBS-2-20-01	LCBS-2-20-19	1-1/4 [31.7]
LCBS-2-22-01	LCBS-2-22-19	1-3/8 [34.9]



NOTES:

1. MATERIAL: NYLON 4/6, UL 94 V-2 (RMS-109), AVAILABLE BY SPECIAL ORDER ONLY. TO ORDER REPLACE "-01" WITH "-109"
2. COLOR: NATURAL
3. ALTERNATE UNITS FOR REFERENCE ONLY

TITLE: LOCKING CIRCUIT BOARD SUPPORT, TYPE 2				DWG IN IN [mm]			
CREATED USING SOLIDWORKS	FILE #: LCBS-2	DWN: SK	APP: RT	FINAL			
TOLERANCES UNLESS NOTED XX=±.010 .XXX=±.005 FRAC.=±1/64 ANG.=±1°	SHEET: 1 OF 1	SHEET SIZE: A	DT: 08/23/06	CHKD: SJ	PART #		PRINT TYPE
RE: RICHCO, INC.	RICHCO, INC.		ENG@RICHCO-INC.COM (773) 539-4060		SEE TABLE		CA

REV.	DESCRIPTION	ENGR.	DATE
E	REDRAWN, SEE ECN #1211 FOR CHANGES	SK	09/08/06
-	SEE ENG FOR REV A-D	-	-

X-ON Electronics

Largest Supplier of Electrical and Electronic Components

Click to view similar products for [Circuit Board Hardware - PCB category](#):

Click to view products by [ESSENTRA manufacturer](#):

Other Similar products are found below :

[8919-0-00-15-00-00-03-0](#) [0135-0-15-01-30-27-04-0](#) [5970-1-15-01-32-14-04-0](#) [0149-0-15-15-30-27-04-0](#) [7305-0-15-15-47-14-10-0](#) [MLN](#)
[150/1 BLACK](#) [8579-0-15-80-11-27-10-0](#) [8579-1-15-15-11-27-10-0](#) [8830-0-15-01-22-14-10-0](#) [8836-0-00-21-00-00-03-0](#) [PRUEF 1 RED](#)
[PRUEF 2 RED](#) [9976-0-00-00-00-00-03-0](#) [PW1616](#) [1215-3-05-00-00-00-01-0](#) [1231](#) [1303-0-15-15-47-14-04-0](#) [1404-3](#) [1404-4](#) [1406-4](#) [1407-3](#)
[1407-4](#) [1408-3](#) [1424-4](#) [1427-3](#) [1419-4](#) [1426-4](#) [MPS 1 BLACK](#) [1548-103](#) [1938-0-00-00-00-00-03-0](#) [1942-0-00-00-00-00-03-0](#) [2101-3-](#)
[00-44-00-00-07-0](#) [2108-2-00-50-00-00-07-0](#) [2109-2-00-44-00-00-07-0](#) [2110-2-00-44-00-00-07-0](#) [2111-2-00-00-00-00-07-0](#) [2113-4-00-44-00-](#)
[00-07-0](#) [2301-3-00-44-00-00-07-0](#) [2308-1-00-50-00-00-07-0](#) [2313-2-00-00-00-00-07-0](#) [2315-2-01-44-00-00-07-0](#) [2317-2-00-50-00-00-07-0](#)
[2333-1-00-50-00-00-07-0](#) [9000-0-00-00-00-00-03-0](#) [2506-2-00-50-00-00-07-0](#) [2507-2-01-44-00-00-07-0](#) [2508-2-00-44-00-00-07-0](#) [2561-2-](#)
[00-44-00-00-07-0](#) [9220](#) [9234-0-15-15-30-14-10-0](#)