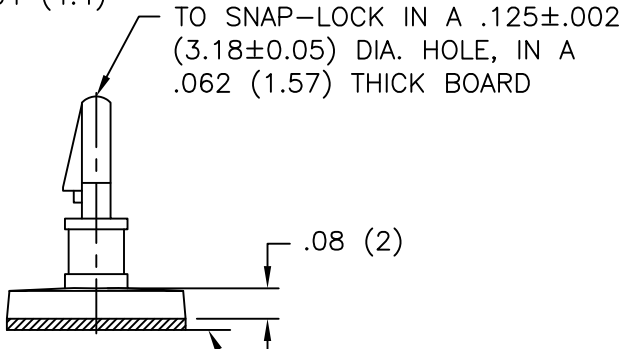
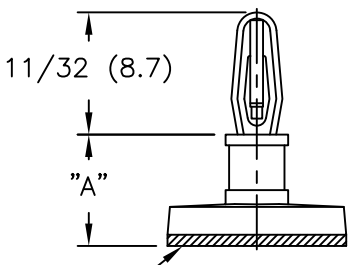
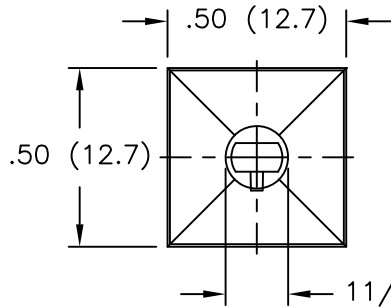


PART NO.	"A"±.015 (±0.4)
LCBSBM-3-01A-RT	3/16 (4.8)
LCBSBM-4-01A-RT	1/4 (6.4)
LCBSBM-5-01A-RT	5/16 (7.9)
LCBSBM-6-01A-RT	3/8 (9.5)
LCBSBM-7-01A-RT	7/16 (11.1)
LCBSBM-8-01A-RT	1/2 (12.7)
LCBSBM-9-01A-RT	9/16 (14.3)
LCBSBM-10-01A	5/8 (15.9)



1/32 (0.8) THICK, DOUBLE SIDED ADHESIVE TAPE

TYPICAL RELEASE TAB LOCATION

NOTES:

- MATERIAL: NYLON 6/6 (RMS-01). FLAME RETARDANT NYLON (RMS-19), AVAILABLE BY SPECIAL ORDER ONLY.
- COLOR: NATURAL.
- ACRYLIC ADHESIVE TAPE (RMS-15), WHITE LINER.  
RUBBER ADHESIVE TAPE (RMS-102), BLUE LINER. AVAILABLE BY SPECIAL ORDER ONLY.  
TO ORDER REPLACE SUFFIX "A-RT" WITH "A1-RT" ON P/N.  
PART ALSO AVAILABLE WITHOUT TAPE BY SPECIAL ORDER. TO ORDER, REMOVE "A-RT" FROM P/N. FOR NEW DIM. "A" SUBSTRACT 1/32" (0.8)
- PART AVAILABLE WITH NON-LOCKING BAYONET NOSE BY SPECIAL ORDER. TO ORDER, USE PART NO. "CBSBM-X-XXX-XX"

G	SEE CO 200773 FOR CHANGES	SK 04.30.12
F	SEE CO 200705 FOR CHANGES	SK 09.07.11
E	ADDED NON-LOCKING TOP OPTION (NOTE 4), ECN #631	SM 05.20.03
D	ADDED RUBBER ADHESIVE BY SPECIAL ORDER (ECN #466)	SM 09.18.02
C	UPDATED PRINT AND CHANGED FILE NO	SM 04.30.01
B	MAT'L RMS-19 ADDED	J.L. 12.29.97
A	CONVERTED TO ACAD	P.B. 05.23.95
REV	DESCRIPTION	ENGR DATE

TITLE: LOCKING CKT. BD. SUPPORT ON BASE, MINI

TOLERANCES UNLESS NOTED .XX=±.010 .XXX=±.005 FRAC=±1/64 ANG=±1'	FILE # LCBSBM	DWN: P.B.	APP:	FINAL
	MAT'L: SEE NOTES	DT: 05-23-95	DT:	
RE: RICHCO, INC.	RICHCO INC. PO BOX 804238, CHICAGO, 60680 (773) 539-4060		PART # SEE TABLE	PRINT TYPE CA

## X-ON Electronics

Largest Supplier of Electrical and Electronic Components

*Click to view similar products for [Circuit Board Hardware - PCB category](#):*

*Click to view products by [ESSENTRA manufacturer](#):*

Other Similar products are found below :

[8919-0-00-15-00-00-03-0](#) [0135-0-15-01-30-27-04-0](#) [5970-1-15-01-32-14-04-0](#) [0149-0-15-15-30-27-04-0](#) [7305-0-15-15-47-14-10-0](#) [MLN](#)  
[150/1 BLACK](#) [8579-0-15-80-11-27-10-0](#) [8579-1-15-15-11-27-10-0](#) [8830-0-15-01-22-14-10-0](#) [8836-0-00-21-00-00-03-0](#) [PRUEF 1 RED](#)  
[PRUEF 2 RED](#) [9976-0-00-00-00-00-03-0](#) [PW1616](#) [1215-3-05-00-00-00-01-0](#) [1231](#) [1303-0-15-15-47-14-04-0](#) [1404-3](#) [1404-4](#) [1406-4](#) [1407-3](#)  
[1407-4](#) [1408-3](#) [1424-4](#) [1427-3](#) [1419-4](#) [1426-4](#) [MPS 1 BLACK](#) [1548-103](#) [1938-0-00-00-00-00-03-0](#) [1942-0-00-00-00-00-03-0](#) [2101-3-](#)  
[00-44-00-00-07-0](#) [2108-2-00-50-00-00-07-0](#) [2109-2-00-44-00-00-07-0](#) [2110-2-00-44-00-00-07-0](#) [2111-2-00-00-00-00-07-0](#) [2113-4-00-44-00-](#)  
[00-07-0](#) [2301-3-00-44-00-00-07-0](#) [2308-1-00-50-00-00-07-0](#) [2313-2-00-00-00-00-07-0](#) [2315-2-01-44-00-00-07-0](#) [2317-2-00-50-00-00-07-0](#)  
[2333-1-00-50-00-00-07-0](#) [9000-0-00-00-00-00-03-0](#) [2506-2-00-50-00-00-07-0](#) [2507-2-01-44-00-00-07-0](#) [2508-2-00-44-00-00-07-0](#) [2561-2-](#)  
[00-44-00-00-07-0](#) [9220](#) [9234-0-15-15-30-14-10-0](#)