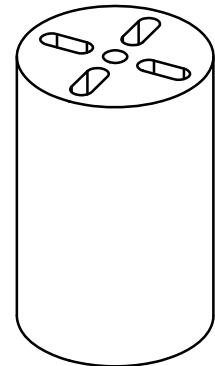
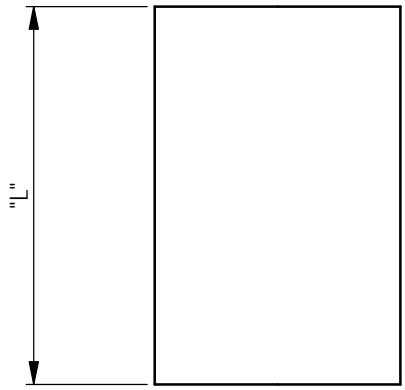
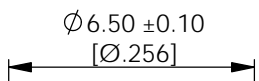
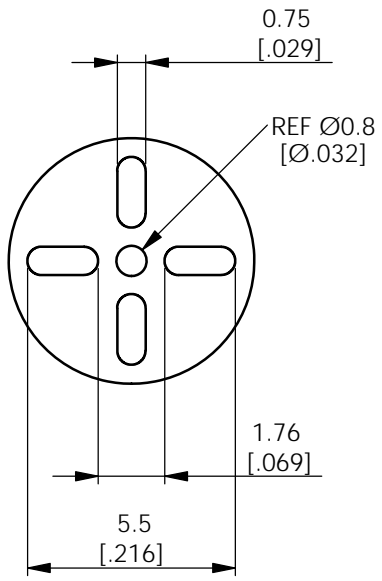


A B C D E F

AVAILABLE BY SPECIAL ORDER NAFTA REGION ONLY

REV.	MODIFICATION.	DATE	DRN
01	NEW DWG	25/05/01	JPM
02	SCN04-093	25/05/01	OW
03	SCN04-096	25/05/01	OW
04	SCN04-100	14/10/04	OW
05	ECN05-021	26/01/05	OW
06	CO-2010553	09/02/09	OW
07	CO-2010973	17/08/10	SF
08	CO-2011241	06/02/12	SF



ALTERNATE UNITS FOR REFERENCE ONLY

INFORMATION CONTAINED IN THIS DOCUMENT IS CONFIDENTIAL TO RICHCO INTERNATIONAL Co. Ltd. AND MAY NOT BE DISCLOSED OR REPRODUCED IN WHOLE OR PART WITHOUT THEIR WRITTEN CONSENT.

RICHCO, INC. WWW.RICHCO-INC.COM	ALL DIMENSIONS IN mm GENERAL TOLERANCES ±0.25 UNLESS OTHERWISE STATED 1 DECIMAL PLACE ± 2 DECIMAL PLACES ± ANGULAR ±1°	THIRD ANGLE
	MATERIAL: PVC (RMS-388)	

- NOTES:
 1) FOR USE WITH 5mm, T-1 3/4 LEDS.
 2) PARTS AVAILABLE IN 1MM INCREMENTS.
 3) SPECIAL LENGTHS AVAILABLE BY SPECIAL ORDER.

COLOUR: BLACK	
DESCRIPTION: LED MOUNTS	
PART No: LEDM-3-XX	

PART No.	LENGTH	DRG No:	NPR No:	SHEET SIZE	
LEDM-3-02 - LEDM-3-30	2.0mm - 30mm	786-9020		A4	
		DRN	DATE	CHKD	DATE
		OW	14/10/04	NJB	14/10/04
		SCALE	SHEET No.		
		NTS	1 OF 1		

A B C D E F

X-ON Electronics

Largest Supplier of Electrical and Electronic Components

Click to view similar products for [LED Mounting Hardware](#) category:

Click to view products by [ESSENTRA](#) manufacturer:

Other Similar products are found below :

[00624250](#) [00624750](#) [M2200](#) [7047](#) [990-4901-010](#) [990-8115-001](#) [CMP22](#) [M16-T1](#) [C-101](#) [L2K-L4GD](#) [L2K-L5XL](#) [LDN51-125SL/BT](#)
[00624500](#) [7046](#) [7056](#) [SN3486](#) [26-0053](#) [TC4-R-](#) [SLQ16](#) [LM6-2](#) [LM12-1](#) [LM10-1](#) [CM00624375](#) [CM00624900](#) [RNG132](#) [FIX-LEDH-10.5](#)
[FIX-LEDH-11](#) [FIX-LEDH-11.5](#) [FIX-LEDH-12](#) [FIX-LEDH-14](#) [FIX-LEDH-17](#) [FIX-LEDH-18](#) [FIX-LEDH-4](#) [FIX-LEDH-4.5](#) [FIX-LEDH-7.5](#)
[FIX-LEDH-9.5](#) [FIX-LEDS-1.5](#) [FIX-LEDS-2](#) [FIX-LEDS-3.5](#) [FIX-LEDT-11](#) [FIX-LEDT-20](#) [FIX-LEDT-26](#) [FIX-LEDT-5](#) [FIX-LEDT-9](#)
[SQLEDS2-4-26](#) [7382](#) [CNXDX4624](#) [CNXDX4608](#) [CNXDF4608](#) [4740](#)