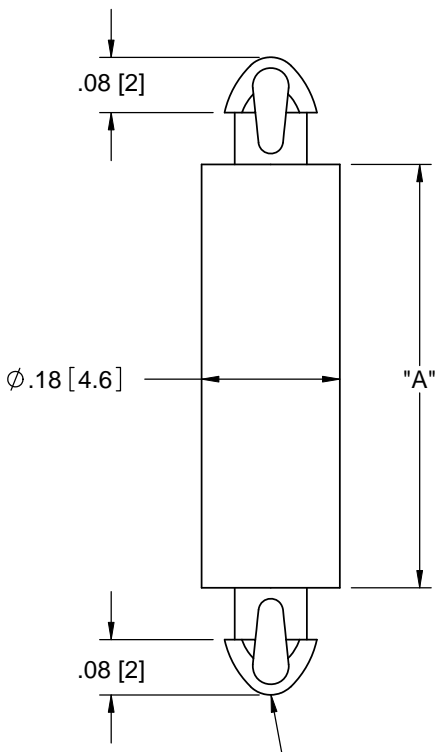


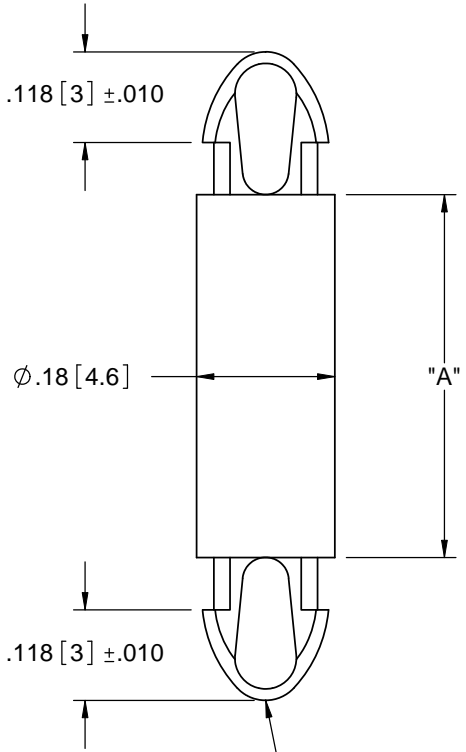
PART NO. STYLE 1. .098 [2.5] DIA. HOLE	PART NO. STYLE 2. .138 [3.5] DIA. HOLE	"A"±.015
MDLSP1-02M-01	MDLSP2-02M-01	.079 [2]
MDLSP1-03M-01	MDLSP2-03M-01	.118 [3]
MDLSP1-04M-01	MDLSP2-04M-01	.156 [4]
MDLSP1-05M-01	MDLSP2-05M-01	.197 [5]
MDLSP1-06M-01	MDLSP2-06M-01	.236 [6]
MDLSP1-07M-01	MDLSP2-07M-01	.276 [7]
MDLSP1-08M-01	MDLSP2-08M-01	.315 [8]
MDLSP1-09M-01	MDLSP2-09M-01	.354 [9]
MDLSP1-10M-01	MDLSP2-10M-01	.394 [10]
MDLSP1-12M-01	MDLSP2-12M-01	.472 [12]
MDLSP1-14M-01	MDLSP2-14M-01	.551 [14]
MDLSP1-16M-01	MDLSP2-16M-01	.630 [16]
MDLSP1-18M-01	MDLSP2-18M-01	.709 [18]
MDLSP1-20M-01	MDLSP2-20M-01	.787 [20]
MDLSP1-22M-01	MDLSP2-22M-01	.866 [22]

STYLE 1.

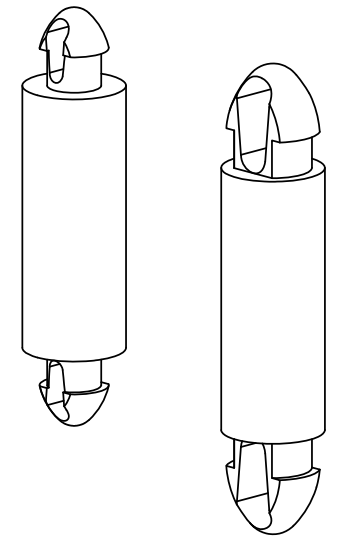


TO SNAP-LOCK IN A .098±.002 [2.5±0.05] DIA. HOLE, IN A .065 (1.65) MAX. THICK BOARD (BOTH ENDS)

STYLE 2.



TO SNAP-LOCK IN A .138±.002 [3.5±0.05] DIA. HOLE, IN A .065 (1.65) MAX. THICK BOARD (BOTH ENDS)



NOTES:

- MATERIAL: NYLON 6/6 UL 94 V-2 (RMS-01), FLAME RETARDANT NYLON 6/6 UL 94 V-0 (RMS-19), AVAILABLE BY SPECIAL ORDER ONLY.
- COLOR: NATURAL

TITLE: MINIATURE DUAL LOCKING SUPPORT POST					DWG IN IN [MM]	
CREATED USING SOLIDWORKS	FILE #: MDLSP1&2	DWN: SK	APP: RT	FINAL		
TOLERANCES UNLESS NOTED .XX=±.010 .XXX=±.005 FRAC.=±1/64 ANG.=±1°	SHEET: 1 OF 1	SHEET SIZE: A	DT: 10/06/05	CHKD: SJ	PART #	PRINT TYPE
	RE: RICHCO, INC.	RICHCO, INC. ENG@RICHCO-INC.COM (773) 539-4060		SEE TABLE A		EA

REV.	DESCRIPTION	ENGR.	DATE
H	SEE CO 200289 FIR CHANGES	SK	12.04.08
G	REDRAWN, SEE ECN #1068 FOR CHANGES	SK	10/06/05
-	SEE ENG. FOR REV A-F	-	--

X-ON Electronics

Largest Supplier of Electrical and Electronic Components

Click to view similar products for [Circuit Board Hardware - PCB category](#):

Click to view products by [ESSENTRA manufacturer](#):

Other Similar products are found below :

[8919-0-00-15-00-00-03-0](#) [0135-0-15-01-30-27-04-0](#) [5970-1-15-01-32-14-04-0](#) [0149-0-15-15-30-27-04-0](#) [7305-0-15-15-47-14-10-0](#) [MLN](#)
[150/1 BLACK](#) [8579-0-15-80-11-27-10-0](#) [8579-1-15-15-11-27-10-0](#) [8830-0-15-01-22-14-10-0](#) [8836-0-00-21-00-00-03-0](#) [PRUEF 1 RED](#)
[PRUEF 2 RED](#) [9976-0-00-00-00-00-03-0](#) [PW1616](#) [1215-3-05-00-00-00-01-0](#) [1231](#) [1303-0-15-15-47-14-04-0](#) [1404-3](#) [1404-4](#) [1406-4](#) [1407-3](#)
[1407-4](#) [1408-3](#) [1424-4](#) [1427-3](#) [1419-4](#) [1426-4](#) [MPS 1 BLACK](#) [1548-103](#) [1938-0-00-00-00-00-03-0](#) [1942-0-00-00-00-00-03-0](#) [2101-3-](#)
[00-44-00-00-07-0](#) [2108-2-00-50-00-00-07-0](#) [2109-2-00-44-00-00-07-0](#) [2110-2-00-44-00-00-07-0](#) [2111-2-00-00-00-00-07-0](#) [2113-4-00-44-00-](#)
[00-07-0](#) [2301-3-00-44-00-00-07-0](#) [2308-1-00-50-00-00-07-0](#) [2313-2-00-00-00-00-07-0](#) [2315-2-01-44-00-00-07-0](#) [2317-2-00-50-00-00-07-0](#)
[2333-1-00-50-00-00-07-0](#) [9000-0-00-00-00-00-03-0](#) [2506-2-00-50-00-00-07-0](#) [2507-2-01-44-00-00-07-0](#) [2508-2-00-44-00-00-07-0](#) [2561-2-](#)
[00-44-00-00-07-0](#) [9220](#) [9234-0-15-15-30-14-10-0](#)