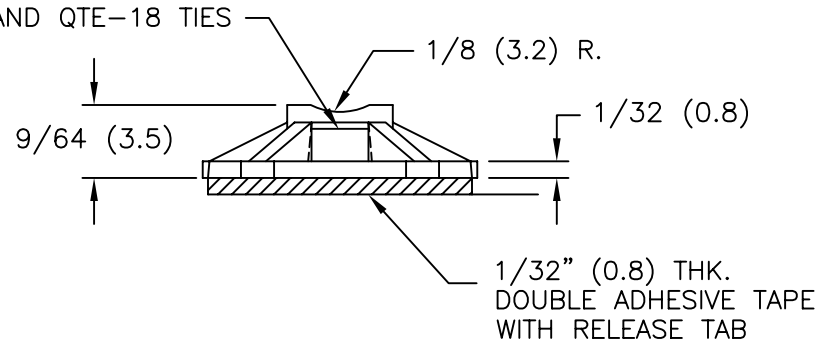
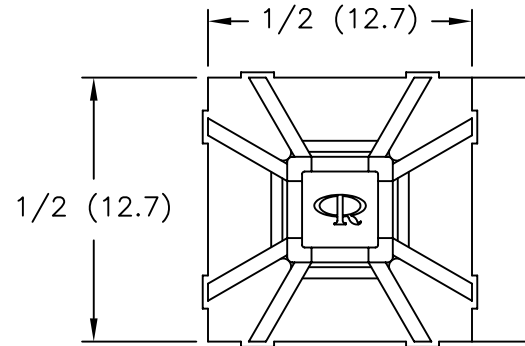


PART NO.	MATERIAL	COLOR	ADHESIVE
MFTH-2-01A-RT	NYLON 6/6 (RMS-01)	NATURAL	ACRYLIC TAPE (RMS-15), WHITE LINER
MFTH-2-01A1-RT			RUBBER TAPE (RMS-102), BLUE LINER




NOTES:

1. NYLON 6/6 (RMS-01),
 COLOR: NATURAL, WITHOUT TAPE,
 AVAILABLE BY SPECIAL ORDER ONLY;
 TO ORDER USE P/N: MFTH-2-01.

FLAME RETARDANT NYLON (RMS-19),
 COLOR: NATURAL,
 ACRYLIC ADHESIVE TAPE (RMS-15), WHITE LINER,
 AVAILABLE BY SPECIAL ORDER ONLY;
 TO ORDER USE P/N MFTH-2-19A-RT
 OR MFTH-2-19 (WITHOUT TAPE).

UV STABILIZED NYLON 6/6 (RMS-46),
 COLOR: BLACK,
 ACRYLIC ADHESIVE TAPE (RMS-15), WHITE LINER,
 AVAILABLE BY SPECIAL ORDER ONLY;
 TO ORDER USE P/N MFTH-2A-RT-UVB
 RUBBER ADHESIVE TAPE (RMS-102), BLUE LINER,
 AVAILABLE BY SPECIAL ORDER ONLY;
 TO ORDER USE P/N MFTH-2A1-RT-UVB,
 OR MFTH-2-UVB (WITHOUT TAPE).

ACCOMMODATES WIT-18 AND QTE-18 TIES

TITLE: MINI-FLAT TIE HOLDER		DWG IN IN (MM)		FINAL				
E	SEE ECN #1124 FOR CHANGES	SK 01.24.06	TOLERANCES UNLESS NOTED	FILE # MFTH-2	DWN: P.B.	APP:	PART #	PRINT TYPE
D	ADDED RUBBER TAPE TO UV MAT'L NOTE	SM 12.13.01	.XX=±.010	MAT'L: SEE TABLE	DT: 10-19-94	DT:		
C	COMPLETELY RE-DRAWN & CHANGED FILE#	SM 10.18.01	.XXX=±.005	RE: RICHCO, INC.	RICHCO INC. PO BOX 804238, CHICAGO, 60680 (773) 539-4060			
B	RUBBER TAPE (RMS-102) ADDED	JL 8.22.00	FRAC=±1/64					
A	MAT'L AND CABLE TIE NOTES UPDATED	J.L. 01.10.00	ANG=±1'					
REV	DESCRIPTION	ENGR DATE						

X-ON Electronics

Largest Supplier of Electrical and Electronic Components

Click to view similar products for [Cable Tie Mounts](#) category:

Click to view products by [ESSENTRA](#) manufacturer:

Other Similar products are found below :

[3-350087-0](#) [CTB75X75BKA-C](#) [561-EZAB580T](#) [561-EZS375B40](#) [561-TA250125](#) [08443-0](#) [10035-0](#) [561-TA00600](#) [1689174-1](#) [08445-0](#)
[10351-0](#) [561-TA250125B](#) [20015-0](#) [10350-0](#) [10029-0](#) [08484-0](#) [08446-0](#) [08318-0](#) [PAM075NY-A-C](#) [MTH1-3](#) [10044](#) [151-11319](#) [151-11819](#)
[PLWP1SB-D](#) [PLWP1M-C](#) [PLWP2SA-D](#) [PLWP2SB-D](#) [PLWP2S-C](#) [PLWP1S-D](#) [PLWP1M-D](#) [TA1S8-C](#) [ABM3H-A-L](#) [ABM3H-AT-T0](#)
[EMS-A-C0](#) [EMSK3-1-3-0](#) [10079](#) [10030](#) [151-10930](#) [151-10920](#) [3590](#) [151-28320](#) [151-28349](#) [151-28530](#) [151-10914](#) [151-10904](#) [151-10916](#)
[151-10906](#) [06297](#) [CTB75X75NTA-C](#) [792](#)