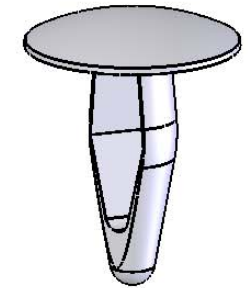
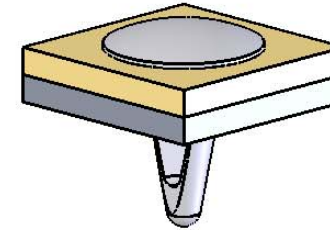


| PART NUMBER | 'T' DIM               | MOUNTING HOLE DIA.      | 'C' DIM     | 'D' DIM      | 'E' DIM      | FIG No. |
|-------------|-----------------------|-------------------------|-------------|--------------|--------------|---------|
| MMB-125-XX  | 2.0-2.5 (0.080-0.100) | 3.10-3.22 (0.123-0.127) | 1.0 (0.040) | 6.9 (0.270)  | 8.4 (0.330)  | 1       |
| MMB-136-XX  | 2.9-4.0 (0.120-0.160) | 3.32-3.58 (0.131-0.141) | 1.7 (0.070) | 10.3 (0.410) | 11.1 (0.440) |         |
| MMB-187-XX  | 2.5-4.0 (0.100-0.160) | 4.61-4.88 (0.182-0.192) | 2.2 (0.090) | 12.7 (0.500) | 10.9 (0.430) |         |
| MMB-210-XX  | 2.5-4.0 (0.100-0.160) | 5.0-5.4 (0.197-0.213)   | 3.0 (0.118) | 14 (0.551)   | 14 (0.551)   | 2       |
| MMB-250-XX  | 2.5-5.6 (0.100-0.220) | 6.27-6.42 (0.247-0.253) | 2.2 (0.090) | 12.7 (0.500) | 16.3 (0.640) | 1       |

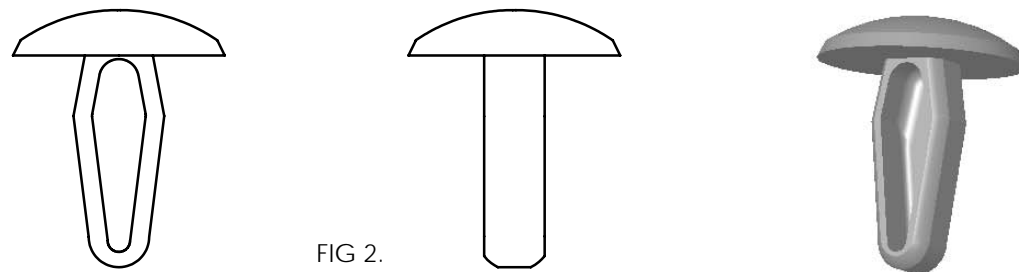
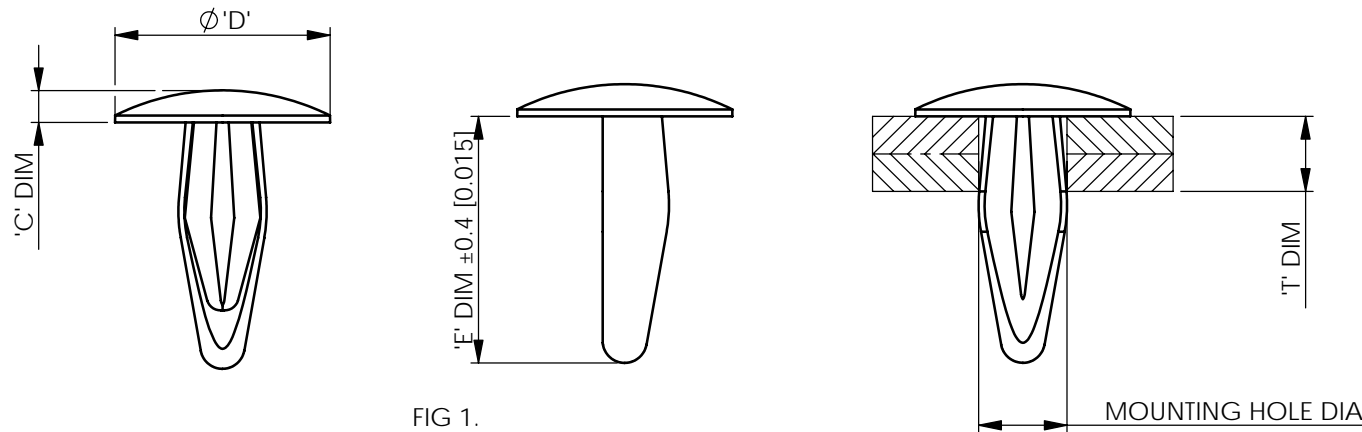
| REV. | MODIFICATION.       | DATE     | DRN |
|------|---------------------|----------|-----|
| 01   | NEW DWG, ECN 05-049 | 13/04/05 | NJB |
| 02   | ECN05-038           | 21/07/05 | OW  |
| 03   | ECR05-095           | 31/08/05 | OW  |



ISOMETRIC VIEWS

NOTES

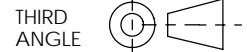
- 1a) METRIC PRIMARY UNITS:mm
- 1b) IMPERIAL SECONDARY UNITS: [inches]
- 2) FLAME RETARDANT NYLON (RMS-19), & ACETAL (RMS-14) AVAILABLE BY SPECIAL ORDER.



INFORMATION CONTAINED IN THIS DOCUMENT IS CONFIDENTIAL TO RICHCO INTERNATIONAL Co. Ltd. AND MAY NOT BE DISCLOSED OR REPRODUCED IN WHOLE OR PART WITHOUT THEIR WRITTEN CONSENT.



GENERAL TOLERANCES ±0.25 [0.010]  
UNLESS OTHERWISE STATED  
1 DECIMAL PLACE ±  
2 DECIMAL PLACES ±  
ANGULAR ±1°



|             |                       |                  |
|-------------|-----------------------|------------------|
| MMB-XXX-14  | ACETAL (RMS-14)       | NATURAL          |
| MMB-XXX-19  | NYLON 6/6 FR (RMS-19) | NATURAL OR BLACK |
| MMB-XXX-01  | NYLON 6/6 (RMS-01)    | NATURAL OR BLACK |
| PART NUMBER | MATERIAL              | COLOUR           |

|                                      |                     |                        |                  |
|--------------------------------------|---------------------|------------------------|------------------|
| MATERIAL:<br>SEE TABLE               |                     | COLOUR:<br>SEE TABLE   |                  |
| DESCRIPTION:<br>MINI MOUNTING BUTTON |                     | PART No:<br>MMB-XXX-YY |                  |
| DRG No:<br>05-043                    | NPR No:<br>2003-321 | SHEET SIZE<br>A4       |                  |
| DRN<br>NJB                           | DATE<br>13/04/05    | CHKD<br>OW             | DATE<br>13/04/05 |
| SCALE<br>NTS                         | SHEET No.<br>1 OF 1 |                        |                  |

## X-ON Electronics

Largest Supplier of Electrical and Electronic Components

*Click to view similar products for [Screws & Fasteners](#) category:*

*Click to view products by [ESSENTRA](#) manufacturer:*

Other Similar products are found below :

[5721-1440-1/4-SS](#) [593503FX](#) [0098.0094](#) [0098.9206](#) [0098.9219](#) [0098.9262](#) [596-2114-013](#) [59781-6](#) [0098.0026](#) [0098.9210](#) [0098.9212](#) [60227-01](#) [60227-04](#) [60227-08](#) [60687-01](#) [LOCK WASHER Black](#) [618-00001](#) [62153-03](#) [62153-11](#) [M316-KSSTMCZ100](#) [M3440-SS](#) [M3442-SS](#) [M3448-SS](#) [6292-1](#) [6-306105-9](#) [6-306131-4](#) [690432-1](#) [699161-000](#) [7230-3](#) [7244](#) [7248-1](#) [7248-2](#) [73542-02](#) [CAPTIVE SHORT THUMBSCREW](#) [745564-1](#) [F1209](#) [751-00001](#) [7680](#) [809704-1](#) [8700](#) [8860220](#) [9047](#) [9521](#) [992326-6](#) [992763-3](#) [1-18024-0](#) [1-18028-2](#) [A168P1](#) [A495P1](#) [1-24921-1](#) [125416-1](#) [1260](#)