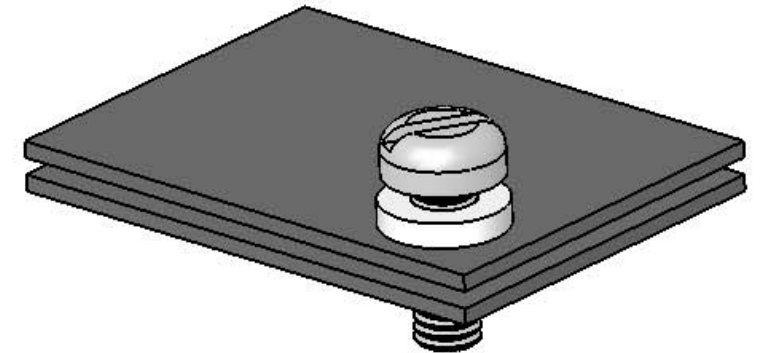
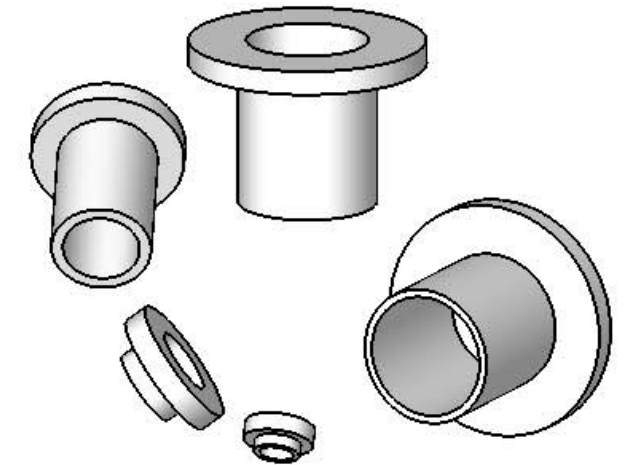
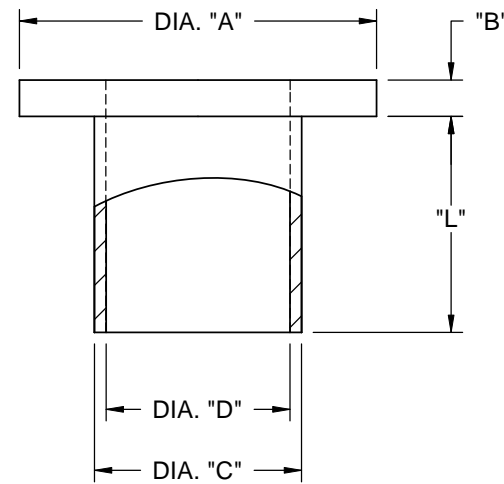
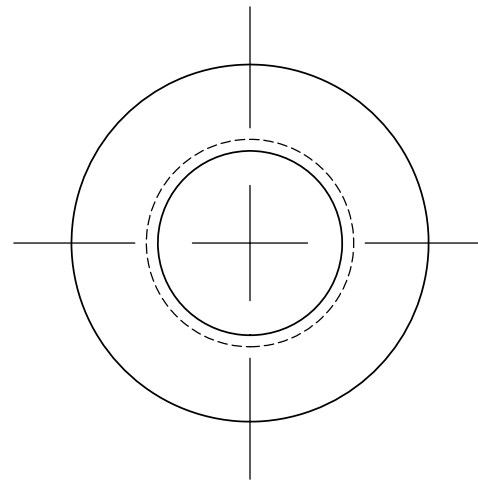


PART NO.	SCREW SIZE	"L" ± .015 (± 0.38)	"A" ± .007 (± 0.18)	"B" ± .007 (± 0.18)	"C" ± .005 (± 0.13)	"D" ± .005 (± 0.13)	MATERIAL		
MNI #2-2	#2 (M2.2)	.031 (0.8)	.181 (4.6)	.047 (1.2)	.120 (3.0)	.090 (2.3)	RMS-48		
MNI #2-4		.063 (1.6)							
MNI #4-2	#4 (M3)	.031 (0.8)	.235 (6.0)		.145 (3.7)	.115 (2.9)	RMS-01		
MNI #4-3		.046 (1.2)							
MNI #4-4		.063 (1.6)	.252 (6.4)		.140 (3.6)	RMS-48			
MNI #4-5		.084 (2.1)							
MNI #4-6		.093 (2.4)	.235 (6.0)		.145 (3.7)	RMS-01			
MNI #4-8		.125 (3.2)							
MNI #4-10		.156 (4.0)							
MNI #4-12		.187 (4.8)							
MNI #4-16		.250 (6.4)							
MNI #4-24		.375 (9.5)							
MNI #5-3	#5 (M3)	.051 (1.3)	.370 (9.4)	.063 (1.6)	.236 (6.0)	.128 (3.3)	RMS-48		
MNI #6-2	#6 (M3.5)	.031 (0.8)	.290 (7.4)					.170 (4.3)	.140 (3.6)
MNI #6-4		.063 (1.6)							
MNI #6-6		.093 (2.4)							
MNI #6-8		.125 (3.2)							
MNI #6-12		.187 (4.7)							
MNI #6-16		.250 (6.4)							
MNI #6-24		.375 (9.5)							
MNI #6-32		.500 (12.7)							
MNI #8-2		#8 (M4)			.031 (0.8)	.344 (8.7)			
MNI #8-4				.063 (1.6)					
MNI #8-6	.093 (2.4)								
MNI #8-8	.125 (3.2)								
MNI #8-12	.187 (4.7)								
MNI #8-16	.250 (6.4)								
MNI #8-24	.375 (9.5)								
MNI #8-32	.500 (12.7)								
MNI #10-4	#10 (M5)		.063 (1.6)	.399 (10.1)	.260 (6.6)		.200 (5.1)		
MNI #10-6			.093 (2.4)						
MNI #10-8		.125 (3.2)							
MNI #10-12		.187 (4.7)							
MNI #10-16		.250 (6.4)							
MNI #10-24		.375 (9.5)							
MNI #10-32	.500 (12.7)								
MNI 1/4-6	1/4 (M6)	.093 (2.4)	.513 (13.0)	.065 (1.7)	.312 (8.0)	.260 (6.6)			
MNI 1/4-12		.187 (4.7)							
MNI 1/4-16		.250 (6.4)							
MNI 1/4-24		.375 (9.5)							
MNI 1/4-32		.500 (12.7)							
MNI 5/16-6		5/16 (M8)					.093 (2.4)	.620 (15.7)	.063 (1.6)
MNI 5/16-16	.250 (6.4)								
MNI M2.5-1.3	M2.5	.051 (1.3)	.248 (6.3)	.047 (1.2)	.138 (3.5)	.114 (2.9)	RMS-01		
MNI M2.5-3.6		.142 (3.6)	.280 (7.1)	.059 (1.5)	.150 (3.8)	.122 (3.1)			
MNI M3-1.0	M3	.039 (1.0)							
MNI M3-2.5		.098 (2.5)							
MNI M3-1.3		.051 (1.3)					.347 (8.8)	.047 (1.2)	.236 (6.0)
MNI M3-3.5		.137 (3.5)	.280 (7.1)	.039 (1.0)	.150 (3.8)	.122 (3.1)	RMS-48		



NOTES:
1. MATERIAL: NYLON 6/6 UL 94 V-2
2. COLOR: NATURAL

P	SEE CO 200276 FOR CHANGES	SK	11/12/08
-	SEE ENGINEERING FOR REV A-O	-	-
REV.	DESCRIPTION	ENGR.	DATE

TITLE: MOLDED NYLON INSULATORS				DWG IN IN [MM]		FINAL	
CREATED USING SOLIDWORKS	FILE #: MNI	DWN: SM	APP: SM	FINAL			
TOLERANCES UNLESS NOTED .XX=±.010 .XXX=±.005 FRAC.=±1/64 ANG.=±1°	SHEET: 1 OF 1	SHEET SIZE: B	DT: 10/01/04	CHKD: SJ	PART #		PRINT TYPE
RE: RICHCO, INC.		RICHCO, INC. ENG@RICHCO-INC.COM (773) 539-4060		SEE TABLE		CA	

X-ON Electronics

Largest Supplier of Electrical and Electronic Components

Click to view similar products for [Screws & Fasteners](#) category:

Click to view products by [ESSENTRA](#) manufacturer:

Other Similar products are found below :

[5721-1440-1/4-SS](#) [593503FX](#) [0098.0094](#) [0098.9206](#) [0098.9219](#) [0098.9262](#) [596-2114-013](#) [59781-6](#) [0098.0026](#) [0098.9210](#) [0098.9212](#) [60227-01](#) [60227-04](#) [60227-08](#) [60687-01](#) [LOCK WASHER Black](#) [618-00001](#) [62153-03](#) [62153-11](#) [M316-KSSTMCZ100](#) [M3440-SS](#) [M3442-SS](#) [M3448-SS](#) [6292-1](#) [6-306105-9](#) [6-306131-4](#) [690432-1](#) [699161-000](#) [7230-3](#) [7244](#) [7248-1](#) [7248-2](#) [73542-02](#) [CAPTIVE SHORT THUMBSCREW](#) [745564-1](#) [F1209](#) [751-00001](#) [7680](#) [809704-1](#) [8700](#) [8860220](#) [9047](#) [9521](#) [992326-6](#) [992763-3](#) [1-18024-0](#) [1-18028-2](#) [A168P1](#) [A495P1](#) [1-24921-1](#) [125416-1](#) [1260](#)