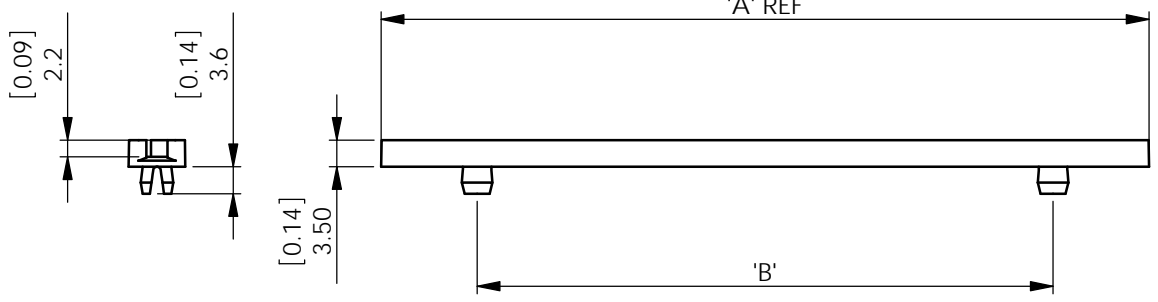
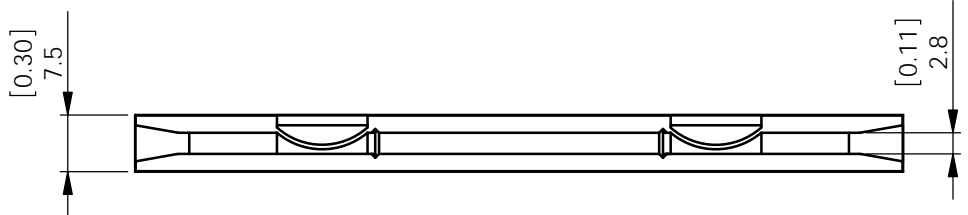
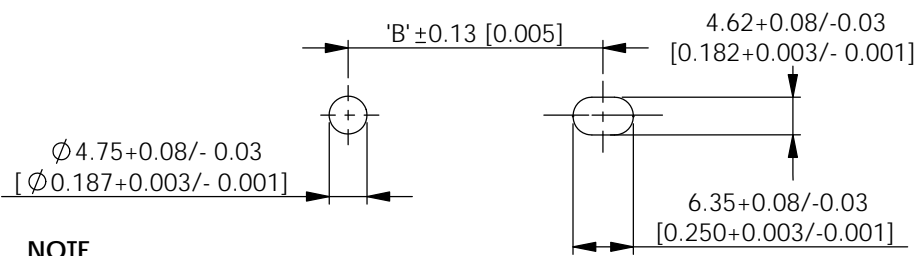


REV.	MODIFICATION.	DATE	DRN
01	SALES RELEASE	07/01/09	PH
02	CO2010624	14/04/09	SF
03	CO2010760	05/08/09	PH
04	CO2010763	06/08/09	PH
05	CO2011175	27/07/11	SF
06	CO2011212	31/10/11	SF



PANEL DETAILS



NOTE
ACCEPTS PCB 0.8 TO 2.0 [0.032 TO 0.079]
MOUNTS INTO PANEL 0.5 TO 2.0 [0.020 TO 0.079]

Part Number	Dimension 'A' REF	Dimension 'B' ± 0.25 [.010]
MPCG-250	63.5 [2.50]	38.1 [1.50]
MPCG-300	76.2 [3.00]	50.8 [2.00]
MPCG-400	101.6 [4.00]	76.2 [3.00]
MPCG-550	139.7 [5.50]	114.4 [4.50]

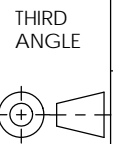
*Available in 'Black' by special order. To order add (-BK) to part number.

ALTERNATE UNITS FOR REFERENCE ONLY

INFORMATION CONTAINED IN THIS DOCUMENT IS CONFIDENTIAL TO RICHCO INTERNATIONAL Co. Ltd. AND MAY NOT BE DISCLOSED OR REPRODUCED IN WHOLE OR PART WITHOUT THEIR WRITTEN CONSENT.

RICHCO, INC.
WWW.RICHCO-INC.COM

ALL DIMENSIONS IN mm
GENERAL TOLERANCES ±0.25
UNLESS OTHERWISE STATED
1 DECIMAL PLACE ±
2 DECIMAL PLACES ±
ANGULAR ±1°



MATERIAL: NYLON 6/6 UL94 V-0 (RMS-19)		COLOUR: NATURAL	
DESCRIPTION: MULTI PANEL CARD GUIDE		PART No: SEE TABLE	
DRG No: 09-0019	NPR No: GB08-0023	SHEET SIZE A4	
DRN PH	DATE 07/01/09	CHKD TC	DATE 13/02/09
SCALE NTS	SHEET No. 1 OF 1		

X-ON Electronics

Largest Supplier of Electrical and Electronic Components

Click to view similar products for [Racks & Rack Cabinet Accessories](#) category:

Click to view products by [ESSENTRA](#) manufacturer:

Other Similar products are found below :

[M00-PLN](#) [F2424](#) [8351-832-A-24](#) [9104](#) [9105](#) [PLFF2000](#) [H-9163-B](#) [1427C3](#) [HTS10](#) [PC-79](#) [SC10-3A](#) [SC4-28](#) [CG3-340S/12](#) [CP-001BK](#)
[M6123-4007-SS](#) [AX61400TB](#) [TS170](#) [LP40](#) [5261304-07](#) [CG3-160G](#) [7112C-PLN](#) [ALUM](#) [CM10](#) [8610-3124-S-26](#) [TS81](#) [7142](#) [GP134](#)
[M6125-4007-A-24](#) [M6127-4007-SS](#) [PBCOVER](#) [512](#) [AEG-4000G](#) [AEG-3000G](#) [HD99](#) [SR2-66A2](#) [FP10B4HP-1](#) [SR16-66A2](#) [FP52-2](#) [1406-](#)
[1006-01](#) [29478](#) [TS2535](#) [TS169-6](#) [CAC2](#) [HA19-3U](#) [BR-19-10-1](#) [TS180](#) [CG3-ESD](#) [SC11-1](#) [CFS-1.00/2.20](#) [HEC0800PB](#) [ZC633R](#)