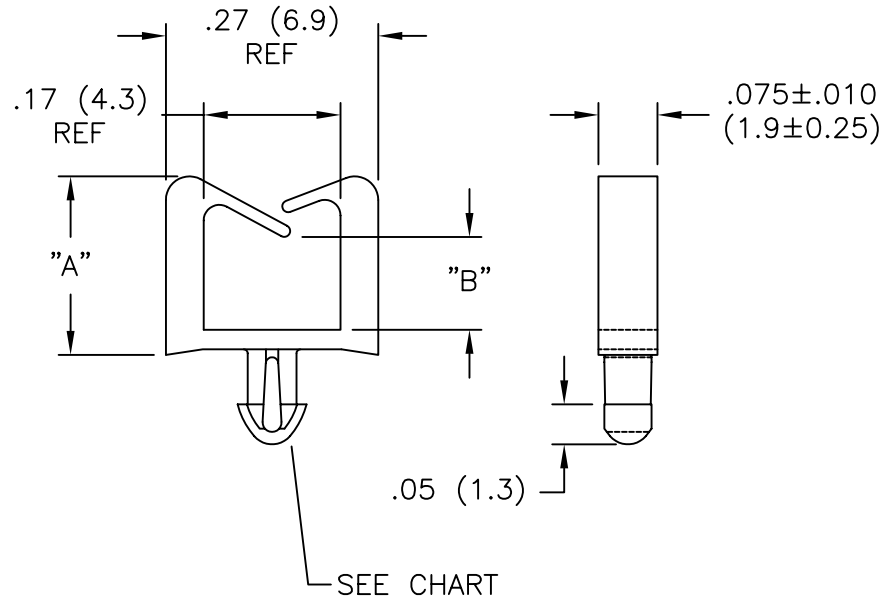
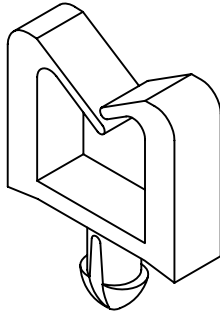


NYLON 6/6 (RMS-01) COLOR: NATURAL. PART NO.	FLAME RET. (RMS-19) COLOR: NATURAL. PART NO.	DIM. "A" REF.	DIM. "B" REF.	HOLE DIA.	PANEL THICKNESS
MWS-1-01	MWS-1-19	.23 (5.8)	.12 (3.0)	.070±.002 (1.75±0.05)	.062 (1.57)
MWS1-1-01	MWS1-1-19				.093 (2.36)
-----	MWS-2-19	.44 (11.2)	.33 (8.5)		.063 (1.60)
-----	MWS-3-19			.087 (2.20)	



<table border="1"> <tr> <td>F</td> <td>SEE ECN #887 FOR CHANGES</td> <td>SM 12.13.04</td> </tr> <tr> <td>E</td> <td>UPDATED PRINT AND CHANGED FILE NO.</td> <td>SM 05.29.01</td> </tr> <tr> <td>D</td> <td>REVISED TABLE</td> <td>J.L 07.26.00</td> </tr> <tr> <td>C</td> <td>MAT'L RMS-19 ADDED</td> <td>J.L 12.10.97</td> </tr> <tr> <td>B</td> <td>ADDED P/N MWS1 AND PUT IN CHART</td> <td>JB 12.22.95</td> </tr> <tr> <td>A</td> <td>CONVERTED TO ACAD</td> <td>PB 10.21.94</td> </tr> <tr> <td>REV</td> <td>DESCRIPTION</td> <td>ENGR DATE</td> </tr> </table>			F	SEE ECN #887 FOR CHANGES	SM 12.13.04	E	UPDATED PRINT AND CHANGED FILE NO.	SM 05.29.01	D	REVISED TABLE	J.L 07.26.00	C	MAT'L RMS-19 ADDED	J.L 12.10.97	B	ADDED P/N MWS1 AND PUT IN CHART	JB 12.22.95	A	CONVERTED TO ACAD	PB 10.21.94	REV	DESCRIPTION	ENGR DATE	TITLE: MICRO WIRE SADDLE					DWG IN IN (MM)	
F	SEE ECN #887 FOR CHANGES	SM 12.13.04																												
E	UPDATED PRINT AND CHANGED FILE NO.	SM 05.29.01																												
D	REVISED TABLE	J.L 07.26.00																												
C	MAT'L RMS-19 ADDED	J.L 12.10.97																												
B	ADDED P/N MWS1 AND PUT IN CHART	JB 12.22.95																												
A	CONVERTED TO ACAD	PB 10.21.94																												
REV	DESCRIPTION	ENGR DATE																												
TOLERANCES UNLESS NOTED .XX=±.01 .XXX=±.005 FRAC=±1/64 ANG=±1°			FILE # MWS	DWN: JL	DT: 07/26/00	FINAL																								
			MAT'L: SEE TABLE	CHKD:	ENG:	PART # SEE TABLE	PRINT TYPE CA																							
			RE: RICHCO, INC.	RICHCO INC. ENG@RICHCO-INC.COM (773) 539-4060																										

X-ON Electronics

Largest Supplier of Electrical and Electronic Components

Click to view similar products for [Cable Mounting & Accessories](#) category:

Click to view products by [ESSENTRA](#) manufacturer:

Other Similar products are found below :

[582603-1](#) [009333-000](#) [727844N003](#) [747](#) [809090N001](#) [843188-000](#) [8666](#) [967279N002](#) [DB-11](#) [1300840039](#) [1300900096](#) [1301800416](#)
[1302264450](#) [1300830184](#) [1300830729](#) [1300900039](#) [1301580036](#) [1301850553](#) [1301860939](#) [1302000074](#) [1302261315](#) [1302264431](#)
[1337706-2](#) [APA18-AK](#) [1724](#) [1-787307-1](#) [185491N001](#) [1868](#) [HP-6N](#) [C-202-C](#) [202C221-13-0](#) [CA7308-000](#) [8S23-75FR-CS8184](#) [2684](#) [9648](#)
[3089](#) [988382-000](#) [A72821-000](#) [AA401](#) [173506-000](#) [1823](#) [202C292-13-0](#) [202C302-13-0](#) [2109](#) [300625](#) [3330](#) [3412](#) [356247-1](#) [M9142](#)
[M9143](#)