

NYLON 6/6 (RMS-01) COLOR: NATURAL PART NO.	FLAME RETARDANT NYLON 6/6 (RMS-19) COLOR: NATURAL PART NO.	"A" ±.015 [±0.4]	"B" ±.015 [±0.4]	"C" ±.015 [±0.4]	"D" HOLDING DIA. REF.	"E" REF.	FIGURE NO.
PAKKL-3140-01	PAKKL-3140-19	.75 [19.1]	.38 [9.7]	.35 [8.9]	.310-.400 [7.9-10.2]	.94 [23.8]	1
*PAKKL-4756-01	*PAKKL-4756-19	[1.24] 31.5	[.62] 15.7	[.40] 10.2	[.469-563] 11.9-14.3	[1.17] 29.8	2
PAKKL-5775-01	PAKKL-5775-19	1.50 [38.1]	.75 [19.1]	.50 [12.7]	.578-.750 [14.7-19.1]	1.36 [34.5]	

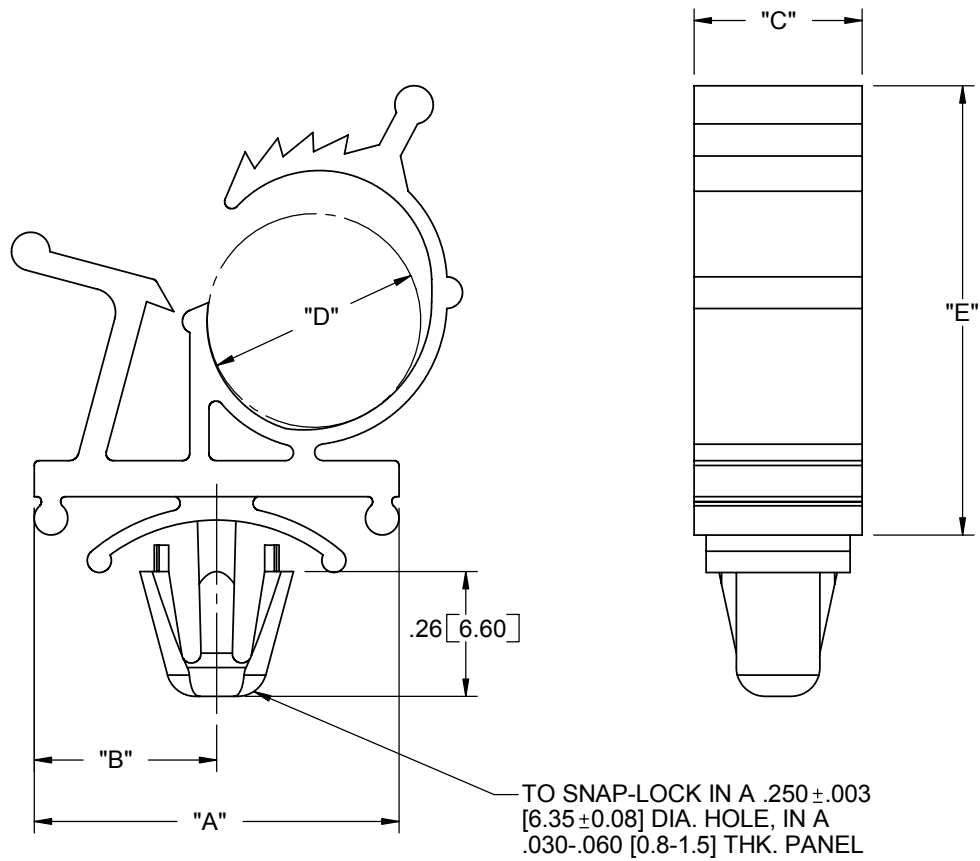


FIG 1

NOTES:
1. ALTERNATE UNITS FOR REFERENCE ONLY.
*PART NUMBER AKKL-4756 IS DESIGNED IN METRIC, INCHES ARE ALTERNATE UNITS FOR THIS PART

REV.	DESCRIPTION	ENGR.	DATE
F	SEE ECN #1190 FOR CHANGES	SK	07/06/06
E	SEE ECN #1187 FOR CHANGES	SK	06/28/06
D	SEE ECN #848 FOR CHANGES	SM	09/14/04
C	COMPLETELY REDRAWN; SEE ECN #732	SM	11/21/03

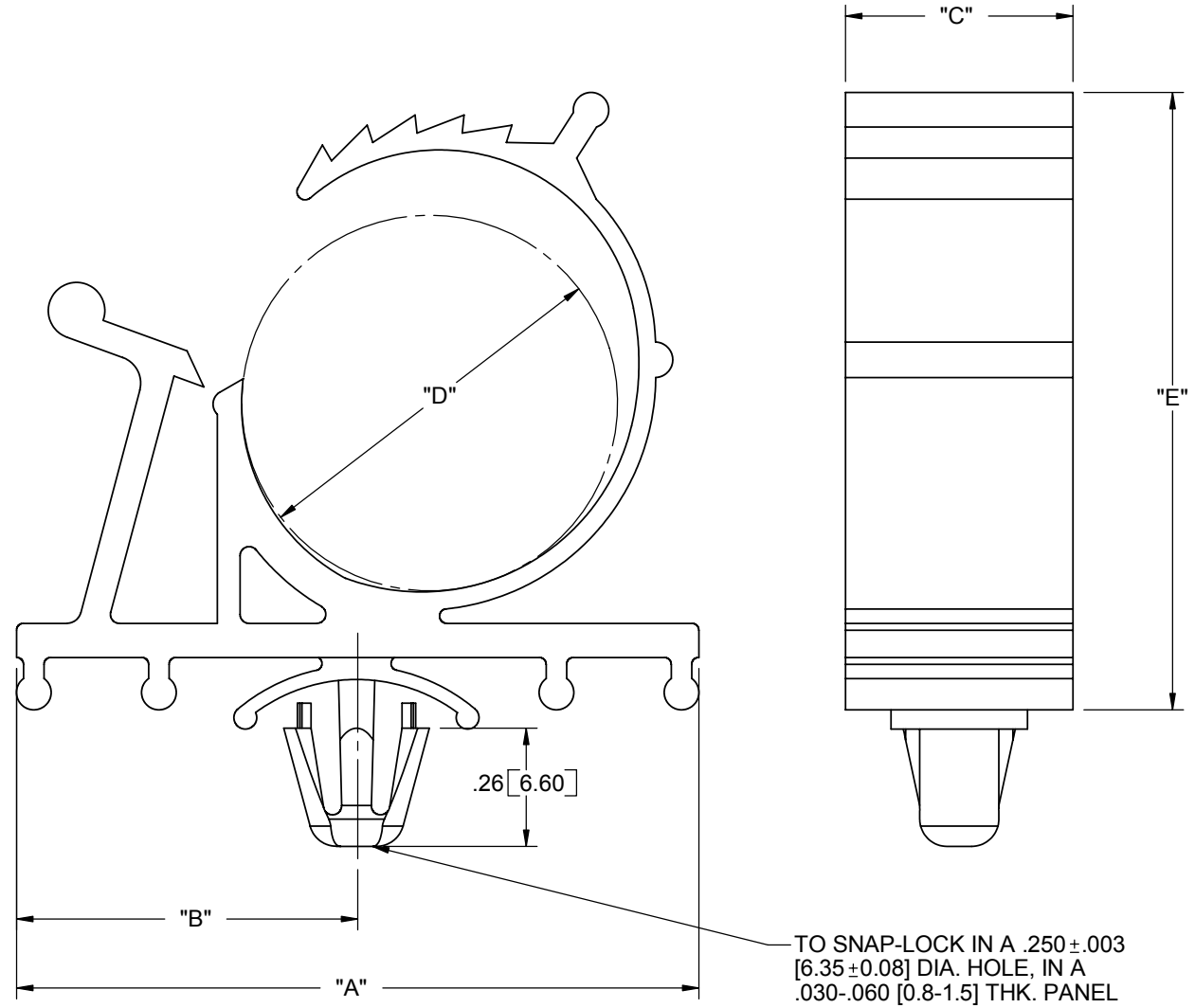


FIG 2.

TITLE: PLUG IN ADJUSTABLE KWIK KLIP				DWG IN *IN [MM]		FINAL	
CREATED USING SOLIDWORKS	FILE #: PAKKL	DWN: SM	APP: R.T.	PART #			
TOLERANCES UNLESS NOTED .XX=±.010 .XXX=±.005 FRAC.=±1/64 ANG.=±1°	SHEET: 1 OF 1	SHEET SIZE: B	DT: 11/21/03	CHKD: SJ	SEE TABLE		PRINT TYPE
RE: RICHCO, INC.		RICHCO, INC. ENG@RICHCO-INC.COM (773) 539-4060				CA	

X-ON Electronics

Largest Supplier of Electrical and Electronic Components

Click to view similar products for [Cable Mounting & Accessories](#) category:

Click to view products by [ESSENTRA](#) manufacturer:

Other Similar products are found below :

[582603-1](#) [009333-000](#) [727844N003](#) [747](#) [809090N001](#) [843188-000](#) [8666](#) [967279N002](#) [DB-11](#) [1300840039](#) [1300900096](#) [1301800416](#)
[1302264450](#) [1300830184](#) [1300830729](#) [1300900039](#) [1301580036](#) [1301850553](#) [1301860939](#) [1302000074](#) [1302261315](#) [1302264431](#)
[1337706-2](#) [APA18-AK](#) [1724](#) [1-787307-1](#) [185491N001](#) [1868](#) [HP-6N](#) [C-202-C](#) [202C221-13-0](#) [CA7308-000](#) [8S23-75FR-CS8184](#) [2684](#) [9648](#)
[3089](#) [988382-000](#) [A72821-000](#) [AA401](#) [173506-000](#) [1823](#) [202C292-13-0](#) [202C302-13-0](#) [2109](#) [300625](#) [3330](#) [3412](#) [356247-1](#) [M9142](#)
[M9143](#)