

PART NO.	"A"±.020	"B"±.020	STUD THREAD "S"	INSERT THREAD "I"	FIG. NO.	REF. LOAD AT 15% DEFLECTION LBS (KG)
QM1	7/16 [11.1]	7/16 [11.1]	#6-32 X 1/4	---	1	8 [4]
QM1T				#6-32 X 3/16	2	5 [2]
QM2T				#6-32 X 3/16	2	7 [3]
QM3	1/2 [12.7]	9/16 [14.3]	#8-32 X 3/8	---	1	9 [4]
QM3T				#8-32 X 3/16	2	8 [4]
QM4				---	1	15 [7]
QM4T				#8-32 X 3/16	2	28 [13]
QM5	3/4 [19.1]	1.0 [25.4]	#1/4-20 X 1/2	---	1	43 [20]
QM7	9/16 [14.3]	1/2 [12.7]	#10-32 X 3/8	---	1	3 [1]
QM7T				#10-32 X 3/16	2	10 [5]
*QM8	SEE DRAWING FOR DIMENSIONS				3	12 [5]

FIG 1.

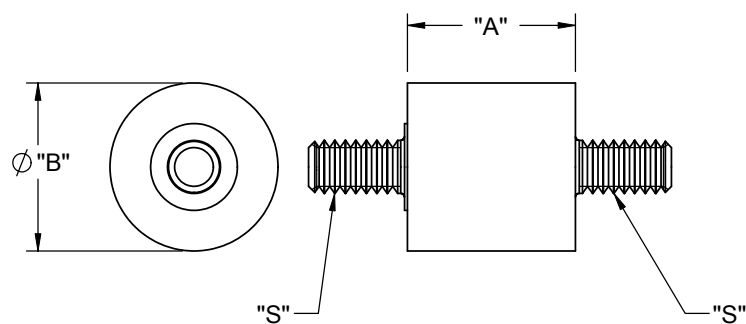
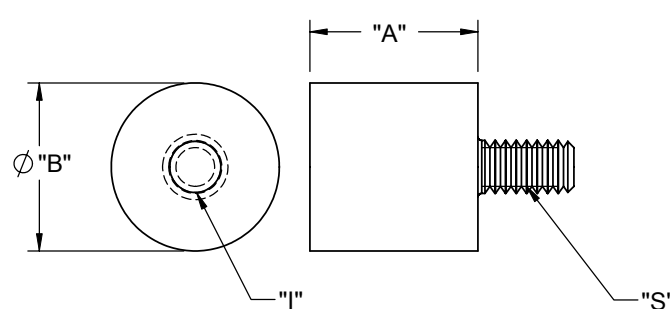
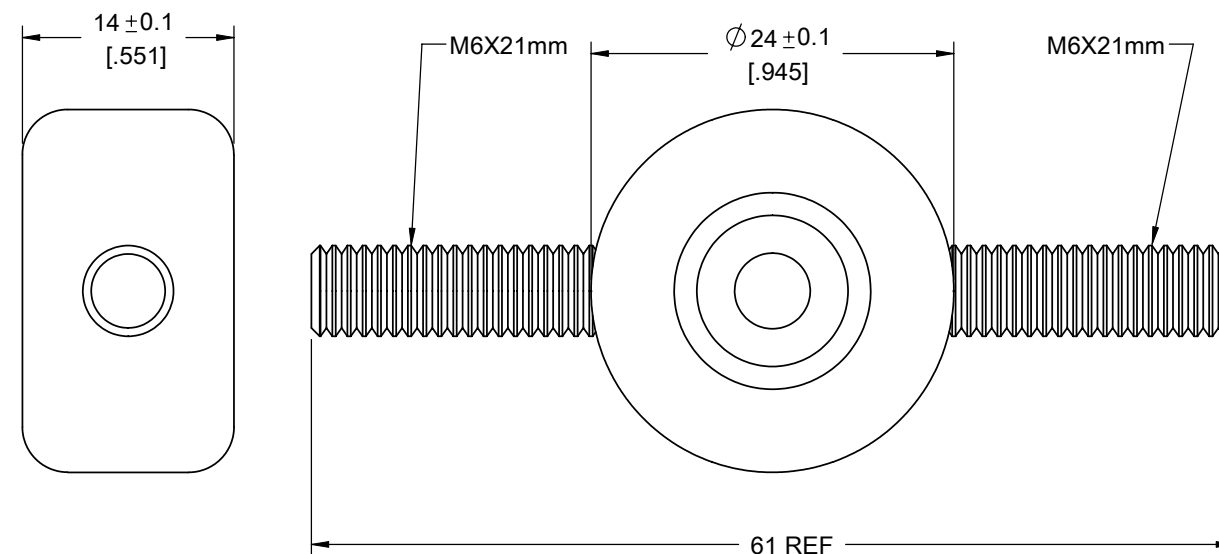


FIG 2.



*FIG 3.



NOTES:

1. MATERIAL: NEOPRENE RUBBER, 40 DUROMETER (RMS-241)
2. COLOR: BLACK
3. THREADED METAL INSERT AND STUD: 1010-1020 STEEL (RMS-242)
PLATING: YELLOW CHROMATE OVER ZINC PLATE (RMS-274)
4. THREADED METAL INSERT MAY BE BLIND CUP, OR THROUGH-NUT
- *5. MATERIAL: IIR, SHORE 55A DUROMETER (RMS-360). COLOR: BLACK.
METAL STUD: BRASS (RMS-349).
PART DESIGNED IN METRIC.
6. ALTERNATE UNITS FOR REFERENCE ONLY.

REV.	DESCRIPTION	ENGR.	DATE
I	SEE CO 200045 FOR CHANGES	SK	10/02/07
H	SEE CO 200041 FOR CHANGES	SK	09/28/07
G	SEE ECN #1326 FOR CHANGES	SK	05/16/07
-	SEE ENGINEERING FOR REVISIONS A-F	---	-----

TITLE: QUIET MOUNT SPACERS				DWG IN IN [MM]		FINAL	
CREATED USING SOLIDWORKS	FILE #: QM	DWN: SK	APP: SK	PART #			
TOLERANCES UNLESS NOTED .XX=±.010 .XXX=±.005 FRAC.=±1/64 ANG.=±1°	SHEET: 1 OF 1	SHEET SIZE: B	DT: 05/16/07	CHKD: DZ	SEE TABLE		PRINT TYPE
RE: RICHCO, INC.		RICHCO, INC. ENG@RICHCO-INC.COM (773) 539-4060		CA			

X-ON Electronics

Largest Supplier of Electrical and Electronic Components

Click to view similar products for [Standoffs & Spacers](#) category:

Click to view products by [ESSENTRA](#) manufacturer:

Other Similar products are found below :

[588-6208-02](#) [599-9844-02](#) [M0516-3-N](#) [M0518-3-N](#) [M0521-3-N](#) [M0524-3-N](#) [M0532-35-N](#) [M0543-4-AL](#) [M0544-35-N](#) [M0544-3-N](#) [M0545-3-AL](#) [M0553-3-N](#) [M0608-5-SS](#) [M0609-5-SS](#) [M0651-5-SS](#) [M0653-35-N](#) [M0654-4-SS](#) [M0655-5-AL](#) [M0658-35-AL](#) [M0660-4-AL](#) [M0660-4-N](#) [M0670-35-N](#) [M0671-5-N](#) [M0671-5-SS](#) [M0722-5-N](#) [M0725-6-N](#) [M0904-B-25-AL](#) [M1273-2545-AL](#) [M1273-2545-SS](#) [M1273-3005-AL](#) [M1273-3005-SS](#) [M1274-3005-AL](#) [60187](#) [60202-SP](#) [60273](#) [60335-SP](#) [60348-SP](#) [60419-SP](#) [60425-SP](#) [60473-SP](#) [60475-SP](#) [60477-SP](#) [60489-SP](#) [60491-SP](#) [60585-SP](#) [60762-SP](#) [60763-SP](#) [60872-SP](#) [M1303-3506-AL](#) [M1307-3506-AL](#)