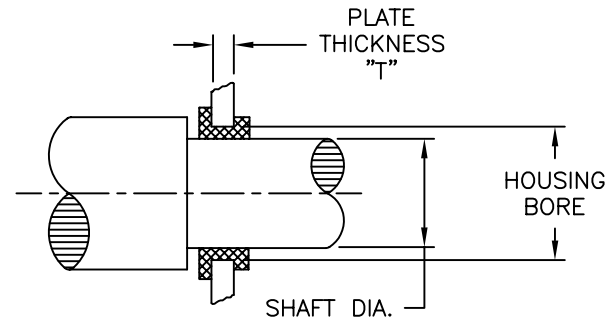
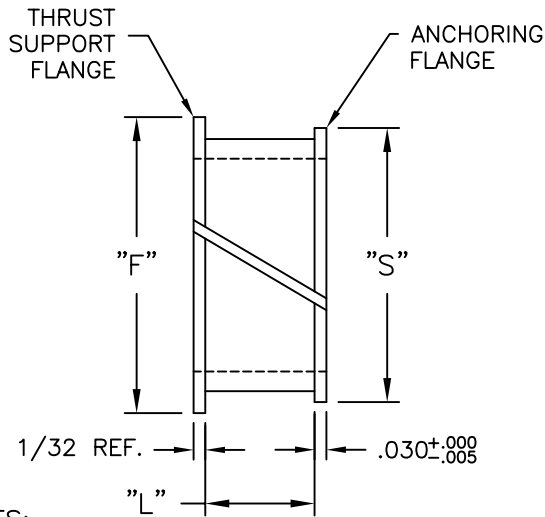


BEARING NUMBER	MAXIMUM SHAFT DIA.	*MINIMUM HOUSING BORE	BEARING I.D.** +.003 -.000	FLANGE DIAMETER ±1/64		BEARING LENGTH "L" +1/64 -.000	RECOMMENDED PLATE THICKNESS "T"
				"F"	"S"		
R3L1-C	.1875	.2343	.1885	5/16	1/4	.078	.040 TO .075
R3L2-C							
R4L1-C	.250	.3125	.2510	7/16	11/32	.078	.040 TO .075
R5L1-C	.3125	.3750	.3135	1/2	13/32	.078	.040 TO .075
R6L2-C	.375	.4375	.3760	9/16	15/32	.140	.072 TO .135
R12L1-C	.750	.8125	.7510	1	27/32	.078	.040 TO .075

\* THE MINIMUM CLEARANCE FOR MODEL "C" SNAP-IN BEARINGS IS .001". HOWEVER, SNAP IN BEARINGS CAN BE USED WITH SHAFT DIAMETERS A FEW THOUSANDS LARGER OR SMALLER THAN SHOWN IF HOUSING BORE IS VARIED A CORRESPONDING AMOUNT.

\*\* WHEN INSTALLED IN HOUSING BORE DIAMETER SHOWN.



NOTES:

1. MATERIAL: NYLON 6/6 (RMS-48).
2. COLOR: WHITE.
3. MAX. CONTINUOUS NON-LUBRICATED OPERATION: 500 RPM.

TITLE: MODEL C: SNAP-IN BEARING				DWG IN INCHES		FINAL	
TOLERANCES UNLESS NOTED .XX=±.010 .XXX=±.005 FRAC=±1/64 ANG=±1'		FILE # RXLX-C	DWN: P.B.	APP:	PART #		PRINT TYPE
I SEE ECN #936 FOR CHANGES SK 02.03.05		MAT'L: SEE NOTES	DT: 05-05-94	DT:	SEE TABLE		CA
H SEE ECN #892 FOR CHANGES SM 12.14.04		RE: RICHCO, INC.	RICHCO INC. PO BOX 804238, CHICAGO, 60680 (773) 539-4060				
REV DESCRIPTION ENGR DATE							

## X-ON Electronics

Largest Supplier of Electrical and Electronic Components

*Click to view similar products for [Grommets & Bushings](#) category:*

*Click to view products by [ESSENTRA](#) manufacturer:*

Other Similar products are found below :

[M10-036565-101](#) [M10-036565-143](#) [M10-036565-183](#) [205339-4](#) [M10-036565-122](#) [M10-036565-163](#) [3-1991136-0](#) [561-FGUP0850B](#) [561-MP13716](#) [561-FGUP0400N](#) [1398081-1](#) [1301800320](#) [M10-036565-232](#) [2298](#) [4014B](#) [2407](#) [2141-P](#) [HTL-40-10-TPE](#) [2417-P](#) [2917-P](#) [3108-P](#) [2871-P](#) [1342664](#) [60466](#) [50687](#) [12468](#) [51409](#) [12462](#) [15517](#) [60752](#) [60218](#) [12463](#) [BDE 21](#) [BDE 29](#) [HSS-M12-TPE RAL9005](#) [HSS-M16-TPE RAL9005](#) [HSS-M25-TPE RAL9005](#) [HSS-M20-TPE RAL9005](#) [HTT-21 RAL7035](#) [HTT-21-V0](#) [BDE 11](#) [BDE 13](#) [BDE13](#) [BDE 16](#) [SRF42](#) [100187](#) [100188](#) [100216](#) [100223](#) [100236](#)